



Equinox

(Model 8000)

Woodstove OWNER'S MANUAL

**INSTALLATION &
OPERATING
INSTRUCTIONS**



We recommend that our products be installed and serviced by professionals who are certified in the U.S. by NFI (National Fireplace Institute).

www.nficertified.org

Warnock Hersey



Intertek

ETL SEMKO

PLEASE READ THIS ENTIRE OWNER'S MANUAL BEFORE YOU INSTALL AND USE YOUR NEW EQUINOX WOOD STOVE.

SAVE THIS OWNER'S MANUAL FOR FUTURE REFERENCE

**To reduce the risk of fire, follow the installation instructions.
Failure to follow these instructions can result in property
damage, bodily injury, or even death.**

CONTACT LOCAL AUTHORITIES WITH JURISDICTION (BUILDING DEPARTMENT or FIRE OFFICIALS), ABOUT PERMITS REQUIRED, RESTRICTIONS AND INSTALLATION INSPECTION IN YOUR AREA PRIOR TO INSTALLATION OF THIS STOVE.

California Prop 65

⚠ WARNING: This product can expose you to chemicals including glass wool fiber and carbon monoxide which are known to the State of California to cause cancer, birth defects or other reproductive harm. For more information go to www.P65Warnings.ca.gov

Equinox Model #8000
Manual # 6400-40455
Revised: 08/27/18

Notes on Stove Operation and Efficiency

Rating:

You have purchased a Hearthstone Equinox 8000 tested to EPA Method 28, 28A and 5H, 40 CFR Part 60 where applicable. This stove is certified to comply with the U.S. Environmental Protection Agency 2015 particulate emissions standard and is not approved for sale after May 15, 2020. It is certified at 3.08 gr/hr emission rate and under specific test conditions has been shown to deliver heat at rates ranging from 12,046 to 37,983 Btu (output).

This wood heater has a manufacturer-set minimum allowable low burn rate that must not be altered. It is against federal regulations to alter this setting or otherwise operate this wood heater in a manner inconsistent with operating instructions in this manual.

Please refer to the Warranty section of this manual for registration instructions. In case of warranty claims, please contact the point of original sale or the nearest authorized Hearthstone dealer. All warranty claims are processed by our dealer network. Authorized Hearthstone dealers can be located at www.hearthstonestoves.com.

This heater is designed to burn natural wood only. Higher efficiencies and lower emissions generally result when burning air dried seasoned hardwoods, as compared to softwoods or to green or freshly cut hardwoods. **DO NOT BURN:** *Garbage, lawn clippings, material containing rubber (including tires), materials containing plastic, waste petroleum products paints or paint thinners, asphalt products, materials containing asbestos, construction or demolition debris, railroad ties, pressure treated wood, manure or animal remains, salt water driftwood or other previously salt water saturated materials, unseasoned wood, paper products, cardboard, plywood or particleboard.* This prohibition against burning these materials does not prohibit the use of fire starters made from paper, cardboard, saw dust, wax and similar substances for the purpose of starting a fire in an affected wood heater. Burning these materials may result in a release toxic fumes or render the heater ineffective and cause smoke.

Following the maintenance guidelines set forth in this manual will help insure the efficient use of your wood heater and minimize visible emissions. Having your stove inspected by a trained professional on a regular basis will greatly increase the potential for recognizing potential impacts to efficiency.

Proper draft is important to the efficient operation of your heater. Refer to the Normal Operation section of this manual for information regarding adequate draft. Both excessive and sub-minimum draft can affect the efficiency of your wood heater. Excessive draft can lead to over-consumption of fuel, lower overall heating capacity of the stove and potential over firing. Low draft can result in inefficient burns, low heat output, expulsion of smoke into the living area when stove doors are opened and an increased potential for build-up of flammable materials in the flue.

Efficiency:

Efficiency was captured using EPA Method 28-5H and weighted using CSA B415-10 methodology. A weighted average was used to calculate the overall efficiency across all of the 4 burn rate categories using the higher heating value (HHV).

To maximize the efficiency of your wood stove make sure it is sized properly for the space you plan to heat. An oversized stove will often be forced to burn at a lower and dirtier burn rate. Consult with your dealer for sizing and correctly placing the stove in your home. An incorrectly placed stove can greatly reduce efficiency. Maximizing the efficiency of your stove will heat your house quickly, burn cleaner and use less wood.

Refer to the Choosing Firewood section of this manual for appropriate fuel selection. Seasoned firewood is typically at or near 20% moisture content. This can be measured with any number of hand-held moisture meters available through your local hearth shop. Follow instructions included in the meter you purchase to measure fuel wood moisture content. Burn only dry, seasoned wood as using wet wood will greatly reduce your efficiency.

CO Emissions:

The Equinox 8000 has the following CO emission rates by burn level: Category 1 – 0.89%, Category 2 – 1.30%, Category 3 - 0.57% and Category 4 - 0.42%. In general, the higher burn rate that can be safely maintained without over-firing the stove the cleaner the stove will operate. Wet wood or unapproved fuel described above can greatly affect the emissions of a wood burning stove.

Smoke/Fire/CO Detectors:

It is highly recommended that smoke and CO detectors be installed throughout the heated space when a wood burning heater is installed. Be certain to install these devices not only in the area where the wood appliance is located, but also in bedrooms, hallways leading to other areas of the house and all common areas of the heated space. Check the batteries in these devices and assure operation by performing whatever test operations are recommended by the manufacturer.

Table of Contents

INTRODUCTION	3
SAFETY & GOOD PRACTICES	4
CODES.....	4
SAFETY INFORMATION	4
PERIODIC CHECKLIST	4
EMERGENCY PROCEDURES.....	5
SPECIFICATIONS	6
INSTALLATION	7
UNPACKING	7
INSTALLING YOUR STOVE.....	7
HEARTH REQUIREMENTS AND FLOOR PROTECTION	8
OUTSIDE AIR SUPPLY	9
COMBUSTIBLE SURFACE REQUIRED CLEARANCES:.....	9
VENTING COMPONENTS AND CONFIGURATION REQUIREMENTS.....	12
CONNECTING THE STOVE TO A CHIMNEY	13
INSTALLING IN A MOBILE HOME	17
OPERATION	18
CONTROLS AND FEATURES.....	18
CHOOSING FIREWOOD.....	19
BUILDING A FIRE	20
BREAKING IN YOUR WOOD STOVE.....	20
BUILDING A BREAK IN FIRE	20
NORMAL OPERATION.....	21
REMOVAL AND DISPOSAL OF ASHES.....	23
MAINTENANCE	24
TROUBLESHOOTING	27
TROUBLESHOOTING GUIDE:	28
REPLACEMENT PARTS KITS & OPTIONAL ACCESSORIES:.....	29
RATING LABEL.....	30

Introduction

Thank you for purchasing an Equinox woodstove from Hearthstone Quality Home Heating Products. This stove will provide you years of comfortable heat. This stove also provides the benefits of advanced technology in wood burning without the cost and maintenance requirements of a catalytic device. The Equinox blends modern technology with classic style and the unique beauty and qualities of cast iron and soapstone. We trust that you will appreciate the quality of this handcrafted product.

We designed your Equinox woodstove to burn efficiently, and produce a large amount of heat. However, you should not consider your Equinox the only heat source for your home. The Equinox's large size and the very large glass window allow you to enjoy the fire from a variety of locations in the room.

Please read this manual in its entirety. Its purpose is to familiarize you with your stove's safe installation, proper break-in, operation and maintenance. It contains extremely important information so keep it handy and refer to it often.

A qualified heating technician may need this owner's manual as a reference when installing this stove in your home. There are national, state, and local building codes that direct the technician on how to install your stove. These codes stipulate the dimension of stovepipe and clearances to walls, ceilings, hearth, and other combustible surfaces. The codes exist to reduce the risk of fire. Failure to follow these instructions can result in fire, property damage, bodily injury, and even death.

Install the stove in a safe, open area, away from traffic flow, doors, and hallways. Also, consider the weight of the Equinox (689 lbs or 313 kg) when selecting an install location. Ensure the structural integrity of the floor system is sufficient to support the added load. If possible, try to install the stove near an existing chimney and chimney connector. It

is extremely important to install this stove with the proper clearance from combustible surfaces. You can purchase specific connector pipe and special wall coverings as specified by this manual and the NFPA 211 code to protect combustible surfaces. As a rule, keep furniture, drapes, curtains, wood, paper, and other combustibles at least 36 inches (92 cm) away from the stove. Never install this, or any stove, in a location where gasoline, kerosene, charcoal lighter fluid or other flammable liquids are in use or stored.

Install the stove in your living area to allow heat to radiate naturally to distant rooms. Do not install your stove in a poorly insulated area. This is inefficient and would likely result in higher fuel usage and possibly unsafe burning conditions.

🔥 SAFETY NOTICE: AN IMPROPERLY INSTALLED STOVE CAN RESULT IN A HOUSE FIRE. FOR YOUR SAFETY, CAREFULLY FOLLOW THE INSTALLATION DIRECTIONS. CONTACT LOCAL BUILDING OR FIRE OFFICIALS ABOUT RESTRICTIONS AND INSTALLATION INSPECTION IN YOUR AREA.

The safety of your stove will depend on many factors, some of which include: distance to combustible objects, correct venting, and adequate chimney maintenance. Should you have any questions, do not hesitate to contact your dealer for additional information.

Contact your dealer for any necessary warranty service.

The Equinox Model 8000 is warranted by:

Hearthstone Quality Home Heating Products, Inc®
317 Stafford Ave.
Morrisville, Vermont 05661

www.hearthstonestoves.com
inquiry@hearthstonestoves.com

Safety & Good Practices

CODES

When you install your Equinox wood stove, it is imperative that you adhere to all Federal and local codes. Obtain these codes from either of the following sources:

American National Standards Institute, Inc. (ANSI)

1430 Broadway
New York, NY 10018
www.ansi.org

National Fire Protection Association, Inc. (NFPA)

Battery March Park
Quincy, MA 02269
www.nfpa.org

If you are installing your Equinox in a mobile or manufactured home, follow the guidelines described in the Manufactured Home Construction and Safety Standard, Title 24 CFR, Part 3280 (United States).

SAFETY INFORMATION

Read and understand this Owner's Manual thoroughly before installing and using this stove.

Make sure to install your stove:

- ☞ According to the manufacturer's recommendations
- ☞ In accordance with all applicable codes
- ☞ With the proper sized chimney

When using your stove:

- ☞ Warn children and others of the danger of touching hot, radiating surfaces of your woodstove. For your additional safety, you can purchase hearth and stove guards through your local dealer.
- ☞ Burn natural wood only. Higher efficiencies and lower emissions result when burning air-dried, seasoned wood, as compared to green or freshly cut wood. Manufactured wood products may contain adhesives, bonding agents, and coatings that can produce dangerous burning conditions and hazardous fumes.
- ☞ Use caution when loading firewood into a hot stove.
- ☞ Keep the front and side doors closed and secured at all times except when loading wood or using the spark screen.
- ☞ Keep the ash pan tray fully inserted and the ash compartment door tightly closed.
- ☞ Inspect the stovepipe, chimney connector and chimney, as recommended.

Follow these safety precautions:

- ☞ **Never** modify this stove in any way.

- ☞ **Never** burn kiln dried, manufactured, painted, or treated wood in this stove.
- ☞ **Never** burn coal in this stove.
- ☞ **Never** burn garbage or trash, colored or glossy paper, solvents, plywood, artificial logs, cardboard, or driftwood, in this stove.
- ☞ **Never** use gasoline, kerosene, charcoal lighter fluid, or other flammable fluids to start or invigorate the fire. These fuels will cause dangerous burning conditions in the stove. Keep all such materials away from the stove.
- ☞ **Never** use the stove if the ash pan compartment door is open, damaged, not present, or does not fully seal.
- ☞ **Never** use a wood grate or other device to elevate the fire.
- ☞ **Never** allow logs in the firebox to contact the glass when the door is closed. Logs touching the glass as they settle during burning is okay.
- ☞ **Never** slam the door or use the door to force wood in to the stove.
- ☞ **Never** over-fire your stove. (See page 21)
- ☞ **Never** put articles of clothing or candles on a hot stove.
- ☞ **Never** connect the stove to a flue used by another appliance.

Other safety guidelines

- ☞ Keep all combustible items such as furniture, drapes, clothing, and other items, at least 36" (0.92 m) from the stove (See page 9)
- ☞ Install a smoke detector, preferably in an area away from your wood stove in accordance with its manufacturer's instructions.
- ☞ Keep a fire extinguisher handy. We recommend the type rated "A B C."
- ☞ Dispose of ashes properly. (See page 22)
- ☞ Keep children and pets away from the stove when it is burning; serious injury can result from touching a hot stove.
- ☞ Clean your chimney system as needed. (See page 24)

PERIODIC CHECKLIST

Perform each of these tasks at, or before the specified intervals.

At the End of Every Week:

- ☞ Empty ashes from the firebox and ash pan, sooner if the firebox or the ash pan is full.

At the Beginning of Every Other Month:

- 🔥 Depending upon your use of the stove, visually inspect the chimney connector and chimney for creosote. (See page 24)
- 🔥 Check door seals using the "dollar bill test." - When the stove is cool, shut the door on a dollar bill. If the bill pulls out without any resistance, then your stove's door is not sealing properly. To tighten the seal, adjust the door latch mechanism or change the door gasket. (Refer to page 25.)

At the End of Every Season:

- 🔥 Dismantle the chimney connector and clean it thoroughly. Replace any pieces that show signs of rust or deterioration.
- 🔥 Inspect and, if necessary, clean your chimney.
- 🔥 Thoroughly clean the inside of the stove.
- 🔥 Inspect all door gasket material and replace if missing, worn, frayed, cracked or extremely hard.
- 🔥 Inspect and replace cracked or damaged refractory soapstone in the firebox.

EMERGENCY PROCEDURES

If you have a stovepipe or chimney fire, follow these instructions:

1. If the fire is too threatening, leave the area and call the fire department immediately! If not, perform the next three steps.
2. Close the primary air control.
3. Close the stovepipe damper (if present).
4. Keep the stove's front and side doors, and ash compartment door closed!

- 🔥 **WARNING: DO NOT ATTEMPT TO PUT OUT A STOVEPIPE OR CHIMNEY FIRE BY THROWING WATER ONTO THE STOVE, STOVEPIPE, OR CHIMNEY. THE EXTREMELY HIGH TEMPERATURE OF SUCH FIRES CAN CAUSE INSTANTANEOUS STEAM AND SERIOUS BODILY HARM.**

Once the chimney fire expires, leave the primary air control closed and let the fire in the stove die out completely. Inspect the stove, stovepipe, and chimney thoroughly for any sign of damage before firing the stove again. You must correct any damage before using your stove again.

THERMO-CERAMIC BAFFLE SYSTEM

To enhance the combustion efficiency and reduce the emissions from the fire in your stove, Hearthstone developed an advanced THERMO-CERAMIC baffle system. This system uses a lightweight, durable ceramic material above the secondary air tubes to maintain the high temperatures in the secondary combustion area and maintain the low emission – high efficiency, clean combustion you desire. This technology will not corrode, dissolve or lose its strength. However, it is vulnerable to puncture or cracking due to rough handling.

- 🔥 **PLEASE EXERCISE CARE WHEN LOADING WOOD OR CLEANING YOUR STOVE, NOT TO DAMAGE THE Thermo-Ceramic BAFFLE**

Located directly above the burner tubes in the firebox, this white or gray sheet of material will break if wood or cleaning brushes impact it. Be careful when loading and cleaning your stove - do not break this material. If this piece fractures, or a hole is punctured, the stove will function improperly. You must replace the board if there is damage. Contact your Hearthstone dealer for a replacement.

Specifications

Maximum Heat Output

120,000 BTU per hour using cordwood (based on independent laboratory test results).

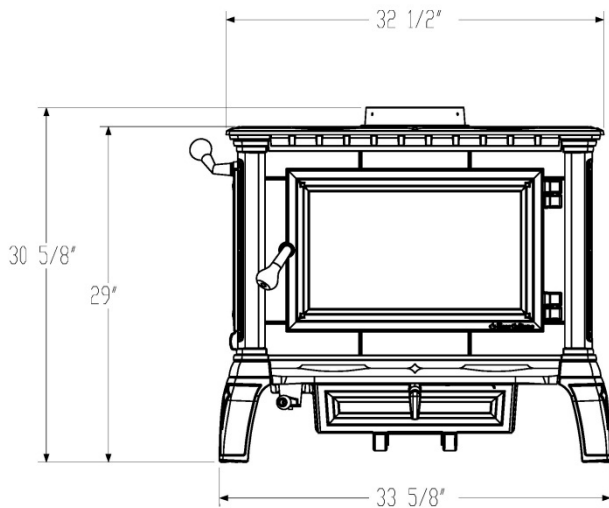
Floor Size of Heated Area

Up to a maximum of 3,500 square feet. Factors unique to your home and installation can reduce the square footage the stove will heat. Home insulation value, number and efficiency of windows, floor plan, stove placement, quality of the fuel and other conditions may limit the heating ability of the stove.

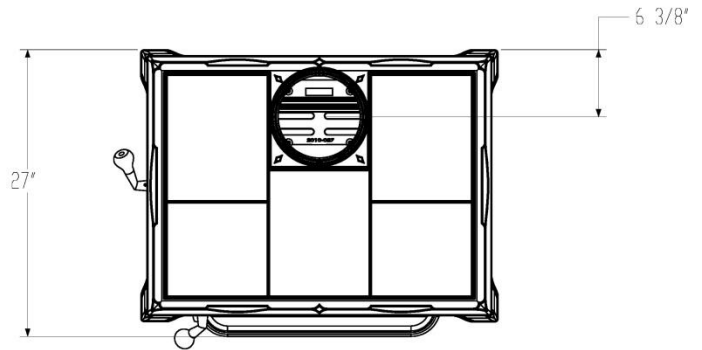
Firebox Capacity

4.0 cubic feet, or 80 pounds of wood. The amount and weight of wood contained per cubic foot of firebox volume can vary from 15 to 36 lbs. per cubic foot depending on type of wood, moisture content, packing density and other factors. As a constant for comparison and test purposes, we are assuming 20 lbs. of seasoned hardwood per cubic foot of firebox volume.

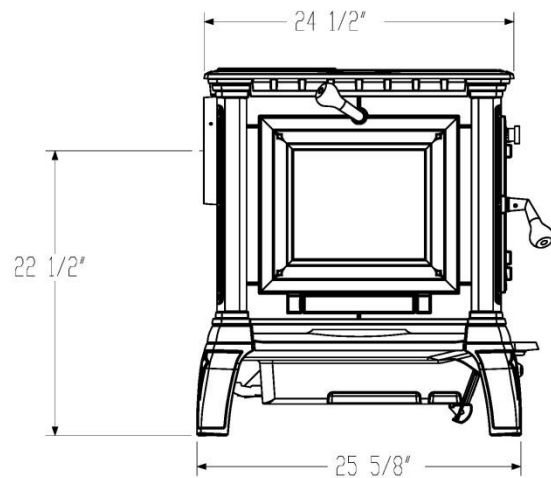
Maximum Log Length:	25"
Front Door Opening Size:	19.25" W x 10" H
Side Door Opening Size:	13" wide x 8.5" high
Stove Dimensions:	
Height (includes flue collar):	30-5/8" (77.8 cm)
Width:	33-5/8" (85.4 cm)
Depth:	27" (68.6 cm)
Actual Weight:	689 lbs (313 kg)
Crate Dimensions:	H-40" W-41" D-31"
(includes pallet).	



View 1 – Equinox Front



View 2 - Equinox Top



View 3 - Equinox Left Side

Flue Exit:	Top or rear
Stovepipe Size:	8" (203 mm) diameter
Metal Chimney:	8" (203 mm) inside diameter
Masonry Chimney:	8" (203 mm) inside diameter (round flue) 8" x 8" (203 x 203mm) (square flue)

Optional Equipment:

Rear Heat Shield	90-68000
Outside Air Kit	90-53500
Blower	90-57502
Spark Screen	90-69000
Side Door Lock Kit	90-70200

Soapstone Finish¹ Smooth, Polished Gray Soapstone

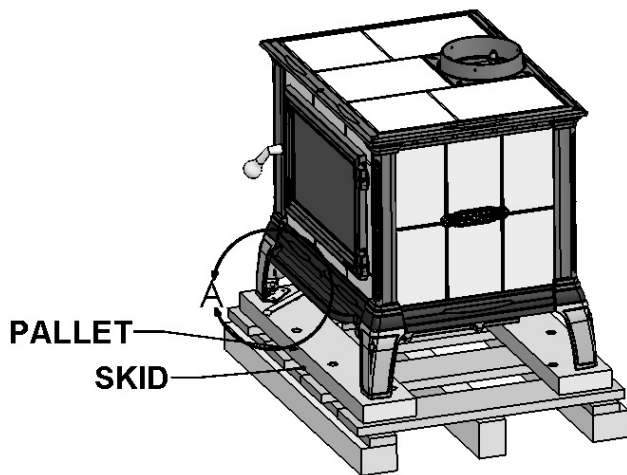
¹Gray soapstone is a natural product and colors will vary from stone to stone. Various amounts of gray, charcoal, blue and green are evident dependant on the natural composition of the stone.

Installation

UNPACKING

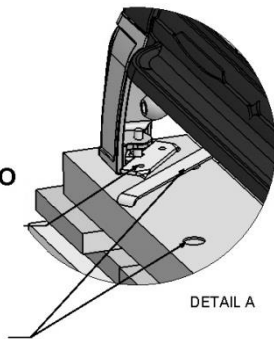
Hearthstone packages your Equinox woodstove with the greatest care so that it ships safely. Under certain circumstances, however, damage may still occur during transit and handling. When you receive the Equinox, refer to the instructions below for removing the stove from the pallet, then carefully unpack and inspect the stove and all accompanying parts. Make sure that all parts are included in the box. If any parts are damaged or missing, please contact your dealer immediately.

The packaging of the Equinox allows the use of a stair climbing hand truck without the stove attached to the pallet.



REMOVE THESE SCREWS TO SEPARATE SKIDS FROM STOVE

REMOVE THESE BOLTS TO SEPARATE SKIDS FROM PALLET(4 PER SKID)



Detail 1 – Removing stove from pallet

Unbolt the skids from the pallet, but not the stove from the skids. The extra height beneath the stove created by the skids allows lifting from the sides using a stair climbing hand truck. Unscrew the stove from the skids once the stove is in position on the

hearth. Finally, lift each side to remove the wood skids.

INSTALLING YOUR STOVE

Choose a place to install your Equinox woodstove. Inspect this location to make sure that the stove and stovepipes will have the required clearance from combustible materials that are near the stove. Combustibles include walls, floor, ceiling, and chimney chase. You must carefully consider the clearances to all of these combustibles before actually connecting your stove.

Consider the weight of the Equinox [689 pounds (313 kg)], and its hearth. You must ensure the floor system will support the weight of the stove and hearth. If you are not certain your floor is adequate, contact a professional structural engineer for advice.

If the floor is made of combustible material, then a non-combustible floor protector with at least an R-1 rating is required between the floor and this stove. *An example of a non-combustible floor protector is a hearth constructed with a continuous layer of a listed backer board (such as Micore, Wonder-Board or Durock) used for ember protection with a tile, brick, slate, or another non-combustible facing.*

If you use a close clearance connector pipe, ensure it is listed with Underwriter's Laboratories. Check the listing of your pipe with UL for the correct clearances.

The diagrams in this manual represent typical installations, but are specific to the Simpson Dura-Vent DVL brand.

CLEARANCES TO NFPA CODE 211 PROTECTED SURFACES

You can reduce the clearances to combustible surfaces by using any National Fire Protection Agency (NFPA) approved wall protection system. Please refer to NFPA Code 211 for specifications and complete details. You can obtain this information directly from the NFPA (U.S. Only).

National Fire Protection Agency

Batterymarch Park
Quincy, MA 02269
1-800-344-3555
1-617-770-3000
www.nfpa.org

HEARTH REQUIREMENTS AND FLOOR PROTECTION

Ensure you protect combustible flooring with a covering of noncombustible material. The floor protection must extend beyond the **body** of the stove at the minimum as follows:

- * Installations in Canada require 18" (45.72 cm) of floor protection on the sides with doors, and 8" (20.32 cm) on the sides without a door.
- ** Rear clearance required only if stovepipe runs horizontally back above the top of the stove.

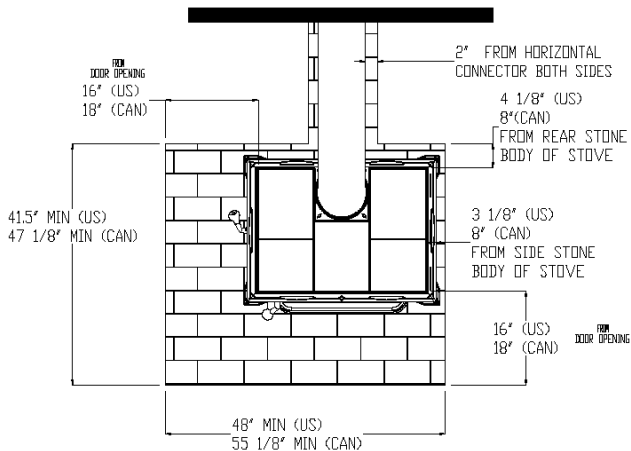


Figure 1 - Equinox Hearth Requirements (R-1 minimum) (shown with side door on left)

Note: Dimensions shown in the previous figure are from the body of the stove. For side door installed on the right side, shift the hearth pad to the right the same distance as shown on the left in Figure 1.

Floor protectors come with various types of specifications. To convert a floor protector's specification to an R-value, do one of the following:

- If the R-value is given, use that value—no conversion needed.
- If a K-factor is given with a required thickness (T) in inches, use this formula:
R-value = $1/K \times T$
- If a C-factor is given, use the formula:
R-value = $1/C$

To determine the R-value of the proposed alternate floor protector:

- Use either the K-factor or the C-factor formula explained above to convert specifications not expressed as R-values.
- For multiple layers of floor protectors, simply add the R-values of each layer to determine the overall R-value of the layers.

If the overall R-value of your setup is greater than the R-value of the specified R-1 requirement, then your setup is acceptable.

Noncombustible Material	Thickness	R-value
Gypsum or plaster board*	0.5"	0.45
Wallboard, Wonderboard, or Durock*	0.5"	0.20
Ceramic board (Fiberfrax or Micor)*	0.5"	1.10
Nominal solid clay brick*	1"	0.20
Ceramic wall or floor tile*	0.25"	0.01
Mineral wool insulation*	1"	3.12
Cement mortar**	1"	0.20
Horizontal still air**	0.125"	0.92

* Check manufacturer's specifications.

** According to ASHRAE Handbook of Fundamentals 1977

HANDLE ASSEMBLIES

Locate the handles, and bolts enclosed in the envelope with the owner's manual. Place the knob on the bolt and then push it through the knob so that the bolt threads extend through the bottom of the knob. Using a slotted screwdriver, turn the bolt into the handle crank on the door, until snug.

HANDLE OPERATION

Front Door – when closed, the handle will be in the 7 o'clock position. To open the front door, rotate the handle clockwise to approximately the 10 o'clock position.

Side Door – when closed, the handle is in the 8 o'clock position. To open the door, rotate the handle clockwise to approximately the 12 o'clock position.

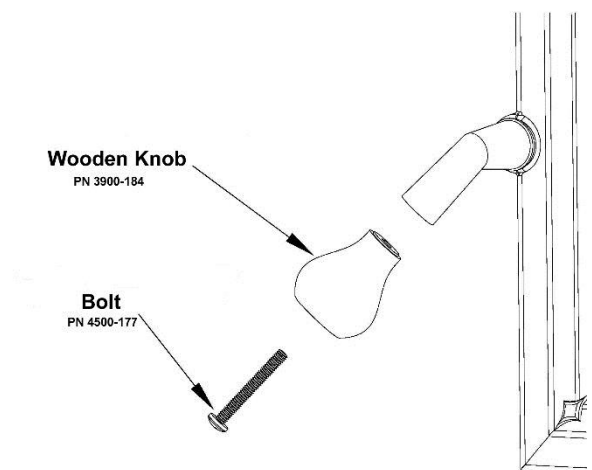


Figure 2: Front and Side Door Handle

OUTSIDE AIR SUPPLY

You can connect an outside air source directly to this stove using an optional outside air kit. Use kit #93-53500 (purchase separately). The kit contains installation instructions.

The advantage of providing outside air directly to the stove is that the air used by the stove for combustion is taken from outside the residence rather than from within the room where the stove is located.

The outside air kit for this stove allows for the direct connection of the stove's air intake to a minimum 3" (76 mm) diameter duct (supplied by others) which leads to the outside of the house. When considering placement of the duct from the outside of the house to the hearth, keep in mind the need to avoid

structural members of the house. The outside air kit will attach to the back of the stove.

The International Residential Code (IRC) does not allow the outside air duct to terminate higher than the appliance. Some building officials also do not like to see any vertical rise in the duct's termination. Hearthstone recommends the termination be at the same level, or lower than the air intake on the stove.

Locate the termination of the duct on the outside wall of the home in such a manner to avoid the possibility of obstruction by snow, leaves or other material. Screen the termination using $\frac{1}{4}$ " x $\frac{1}{4}$ " mesh rodent screen and cover it with a rain/wind proof hood (flex pipe, outside termination, mesh, and hood supplied by others) Contact your dealer for availability.

COMBUSTIBLE SURFACE REQUIRED CLEARANCES:

It is very important to follow minimum clearances for chimney connectors to combustibles such as walls and ceilings when installing the stove near combustible surfaces.

MINIMUM CLEARANCES TO COMBUSTIBLES (FROM CLOSEST POINT OF STOVE)

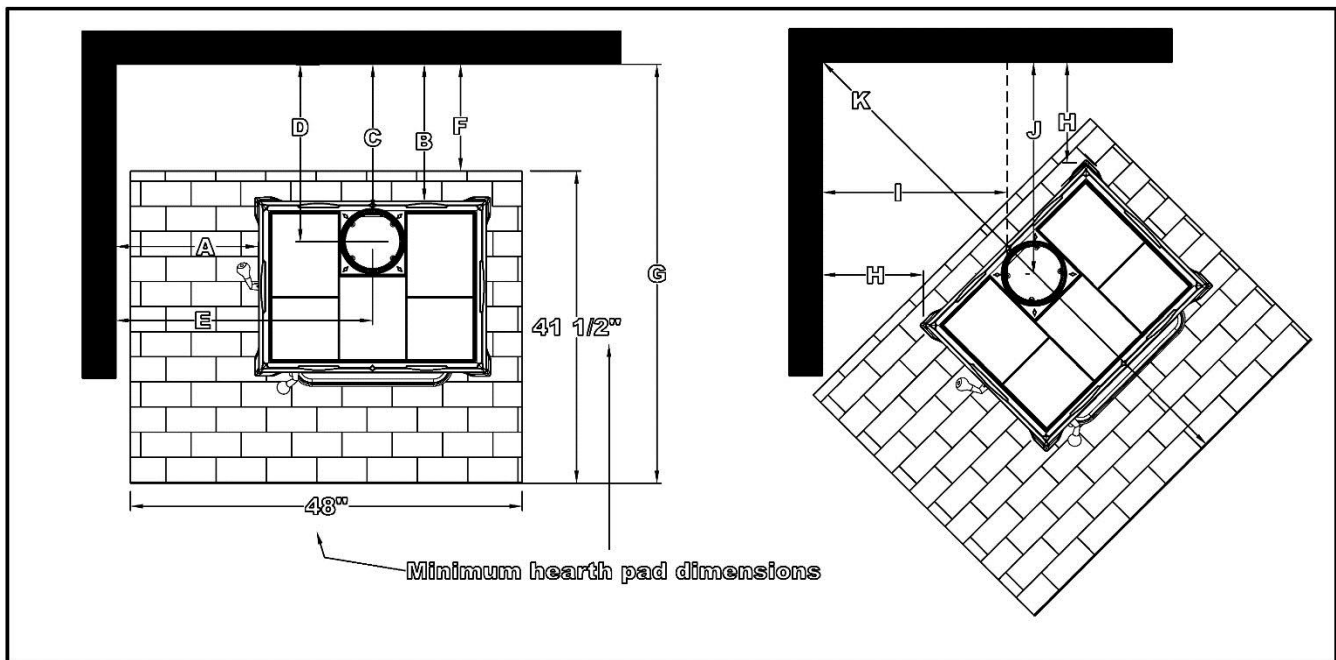


Figure 3: Freestanding Installation Clearances (with side door shown on left) (US Requirements)

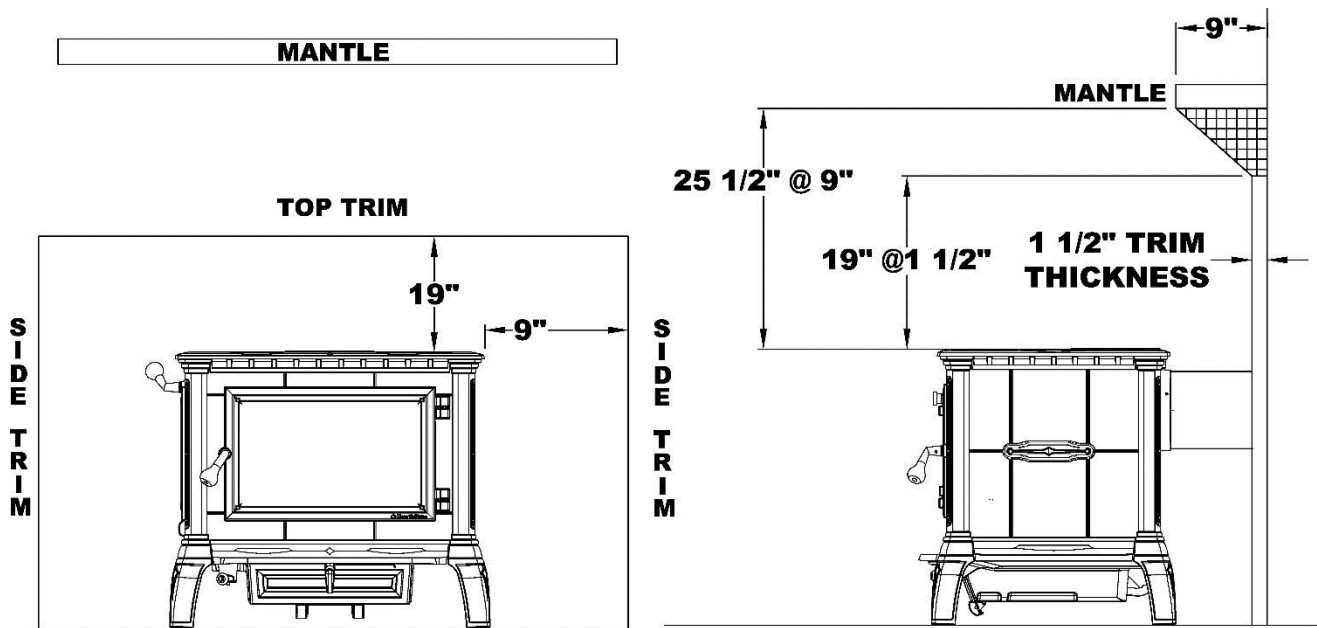


Figure 4: Fireplace Installation Clearances

FREESTANDING COMBUSTIBLE SURFACE CLEARANCE DIMENSIONS (INCHES) (US REQUIREMENTS)

Installation type	Parallel						Corner				
	A**	B	C	D	E**	F	G	H	I	J	K
No Heat Shield & single wall connector	21	21	22-3/4	26-3/4	37-1/4	18-1/4	59-3/4	15	26-3/8	30-3/8	76
No Heat Shield & double wall connector	20	17	18-3/4	22-3/4	36-1/4	14-1/4	55-3/4	14-1/2	25-7/8	29-7/8	75-1/3
Rear Heat Shield & single wall connector	22	8 *	9-3/4	13-3/4	38-1/4	5-1/4	46-3/4	15-1/2	26-7/8	30-7/8	76-3/4
Rear Heat Shield & double wall connector	19	6 *	7-3/4	11-3/4	35-1/4	3-1/4	44-3/4	13-1/2	24-7/8	28-7/8	73-7/8

* Measured from the body of the stove, not the heat shield. ** A and E apply to the side of stove where the side door is installed.

ALCOVE COMBUSTIBLE SURFACE CLEARANCE DIMENSIONS (INCHES)

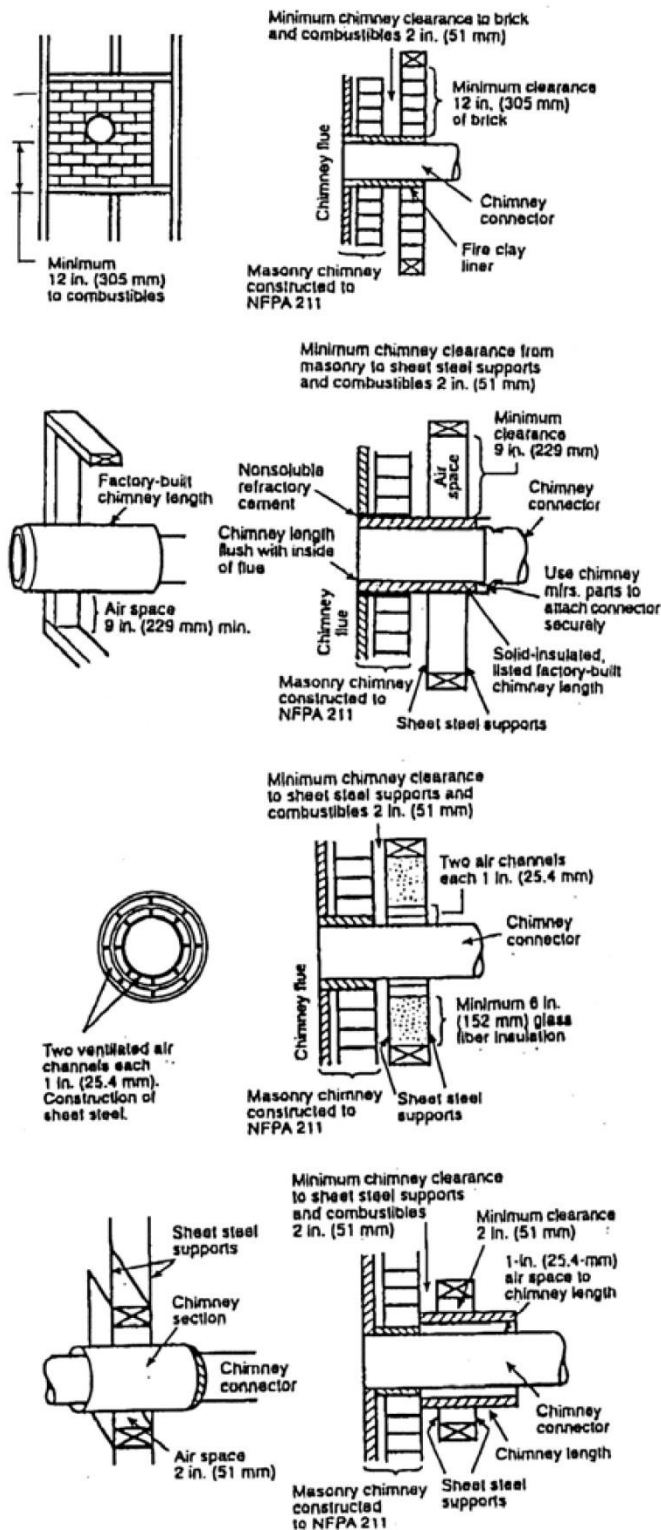
Installation type	A**	B	Top of Stove to Ceiling
No Heat Shield & single wall connector	20	21	67
Rear Heat Shield & single wall connector	21	8	67
Rear Heat Shield & double wall connector	20	6	67

If you use a rear heat shield to obtain reduced clearances, you must only use the optional rear heat shield manufactured by Hearthstone specifically for the Equinox Model 8000 (Heat Shield part number: 90-68000) , which is available through your local dealer.

Use only close clearance connector pipe tested to UL standards and listed. Check listings of your pipe

for actual clearances. Measurements shown above and on the following page are specific to the Simpson Dura Vent DVL brand. Do not reduce clearances without the use of the rear heat shield and/or with close clearance connector pipe and/or by protecting the combustible surfaces per NFPA 211 standards. **See NFPA-211 for protected surface clearance requirements.**

Chimney Connector Systems and Clearances from Combustible Walls for Residential Heating Appliances



A Minimum 3.5-in thick brick masonry all framed into combustible wall with a minimum of 12-in brick separation from clay liner to combustibles. The fireclay liner shall run from outer surface of brick wall to, but not beyond, the inner surface of chimney flue liner and shall be firmly cemented in place.

B Solid-insulated, listed factory-built chimney length of the same inside diameter as the chimney connector and having 1-in. or more of insulation with a minimum 9-in. air space between the outer wall of the chimney length and combustibles.

C Sheet steel chimney connector, minimum 24 gauge in thickness, with a ventilated thimble, minimum 24 gauge in thickness, having two 1-in. air channels, separated from combustibles by a minimum of 6-in. of glass fiber insulation. Opening shall be covered, and thimble supported with a sheet steel support, minimum 24 gauge in thickness.

D Solid insulated, listed factory-built chimney length with an inside diameter 2-in. larger than the chimney connector and having 1-in. or more of insulation, serving as a pass-through for a single wall sheet steel chimney connector of minimum 24 gauge thickness, with a minimum 2-in. air space between the outer wall of chimney section and combustibles. Minimum length of chimney section shall be 12-in. chimney section spaced 1-in. away from connector using sheet steel support plates on both ends of chimney section. Opening shall be covered, and chimney section supported on both sides with sheet steel supports securely fastened to wall surfaces of minimum 24 gauge thickness. Fasteners used to secure chimney section shall not penetrate chimney flue liner.

Figure - 5

VENTING COMPONENTS AND CONFIGURATION REQUIREMENTS

🔥 DO NOT CONNECT THIS UNIT TO A CHIMNEY FLUE SERVING ANOTHER APPLIANCE

- 🔥 Single wall connector that is 24 MSG or 25 MSG blued steel stovepipe.
- 🔥 Double wall connector (close clearance pipe) which is used with a listed, factory-built "Type HT" chimney or with a masonry chimney to reduce clearances, is available from several manufacturers, your dealer can help you choose. Some air insulated connector pipe models available are Simpson Dura Vent DVL and Metalbestos DS. Security, GSW and Ameritec also have acceptable close clearance connector pipe.
- 🔥 When used in a mobile home, a spark arrestor is required. (See page 17)
- 🔥 The chimney connector cannot pass through a floor or ceiling, nor any attic or roof space, closet or similar concealed space. Where venting requires passage through a wall or partition of combustible construction, the installation must conform to NFPA Code 211 or CAN/CSA - B365.
- 🔥 It is very important to follow minimum clearances for chimney connectors to combustibles such as walls and ceilings when installing the stove. Typical chimney connector clearances are outlined on the previous page. The single wall clearances are generic; the double wall clearances shown are for Simpson DuraVent DVL. **Check the specifications from the manufacturer of your connector.**

COMPONENTS OF A VENTING SYSTEM

The complete venting system consists of several components: chimney connector, wall thimble, wall pass-through, chimney, and liner. It is absolutely necessary that you install all of these components and maintain the clearances to combustibles discussed earlier to ensure a safe stove installation.

To protect against the possibility of a house fire, you *must properly install and constantly maintain the venting system*. Upon inspection, immediately replace rusted, cracked, or broken components.

- 🔥 The chimney connector is the stovepipe from the woodstove to the chimney. The chimney connector for the Equinox is 8" (203 mm) diameter, 24 MSG or 25 MSG blued steel connector pipe. Do not use aluminum or galvanized steel pipe - they cannot withstand the extreme temperatures of a wood fire.

- 🔥 The thimble is a manufactured (or site-constructed) device installed in combustible walls through which the chimney connector passes to the chimney. It keeps the walls from igniting. You must use a wall thimble when installing a chimney connector through a combustible wall to the chimney.
- 🔥 A wall pass-through (or chimney support package) also keeps the walls from igniting. You must use one when connecting through a wall or ceiling to a prefabricated chimney.
- 🔥 Only install this stove to a lined masonry chimney or an approved high temperature prefabricated residential type building heating appliance chimney. Do not connect this stove to a chimney serving another appliance; you will compromise the safe operation of both the wood stove and the connected appliance.
- 🔥 **WARNING: DO NOT CONNECT THIS APPLIANCE TO ANY AIR DISTRIBUTION DUCT OR SYSTEM.**
- 🔥 A *liner* is the UL 1777 or ULC S635 (for factory built fireplace or masonry) chimney.

You must connect your stove to a chimney comparable to those recommended in this manual. *Do not use stovepipe as a chimney*. Use stovepipe for freestanding installations only to connect the stove to a proper chimney.

INSTALLING A VENTING SYSTEM

Attach stovepipe sections to the flue collar and to each other with the crimped end toward the stove. If creosote builds up, this allows the creosote to run into the stove and not on the outside of the stovepipe or onto the stove.

Secure all joints, including attaching the stovepipe to the stove's flue collar, with three sheet metal screws. Install #10 x 1/2" (3 mm x 13 mm) sheet metal screws into the holes pre-drilled in the flue collar. Disregarding the screws can cause joints to separate from the vibrations that result from a creosote chimney fire.

You can simplify connecting stovepipe by using additional accessories such as telescoping pipes, slip-connectors or clean-out tees. These accessories ease the periodic inspection of your chimney, as well as allow you to dismantle the stovepipe easily (without moving the stove).

Install the stove as close as practical to the chimney, while maintaining all proper clearances. Install stovepipe that is as short and as straight as possible. Horizontal runs of stovepipe must always rise away from the stove at a minimum of 1/4" per foot (21mm/m).

We do not recommend long runs of stovepipe to increase heat dispersal. Longer lengths of stovepipe or more connecting elbows than necessary increase the chances of draft resistance and the accumulation of creosote.

In general, you do not need to install a stovepipe damper with the Equinox. Some installations, however, could benefit from a stovepipe damper, such as a tall chimney which can create a higher than normal draft. In such cases, a damper can help regulate the draft. The Equinox requires a draft between 0.06" and 0.1" Water Column. For drafts above 0.1" Water Column (wc), install a stovepipe damper. Check the draft at stove installation time.

Remember, the NFPA recommends minimum clearances for chimney connectors to combustibles such as walls and ceilings. Once the stove is installed at safe distances from combustible surfaces, it is important to also maintain these connector clearances for the remainder of the installation.

CONNECTING THE STOVE TO A CHIMNEY

You can install your Equinox to a prefabricated metal chimney, or a masonry chimney (see Figures 6 and 8).

PREFABRICATED METAL CHIMNEY

There are two ways to install a prefabricated metal chimney:

1. An *interior* installation where the chimney passes inside the structure through the ceiling and roof
2. An *exterior* installation where the chimney passes through the wall behind the stove then up the outside of structure

Whenever possible, choose an interior chimney. An interior chimney heats up quickly and retains its heat; thus promotes a better draft and discourages the formation of creosote. An exterior chimney does not benefit from the warmth of the building, so it typically operates at lower flue temperatures. An exterior chimney's draft is not as strong and may experience increased creosote accumulation.

When connecting the Equinox to a prefabricated metal chimney, you must follow precisely, the manufacturer's installation instructions. Use only Type HT (2100 deg. F), prefabricated metal chimneys listed per UL 103 or ULC S629 standards.

The Equinox requires a minimum 8" (203 mm) inside diameter flue. An 8" diameter flue provides adequate

draft and performance. You can use a larger diameter existing flue with a reducer – see NFPA 211. Ensure the chimney size is not less than, or more than three times greater than, the cross-sectional area of the flue collar. Note that an oversized flue contributes to creosote accumulation. (In this case, bigger is NOT better.)

When purchasing a prefabricated chimney to install with your stove, Ensure you also purchase from the same manufacturer the wall pass-through (or ceiling support package), "T" section package, fire-stops (when needed), insulation shield, roof flashing, chimney cap, and any other needed accessories. Follow the manufacturer's instructions when installing the chimney and accessories. In addition, ensure you maintain all manufacturers' recommendations for the proper clearances to the chimney.

MASONRY CHIMNEY

Consider two primary elements when connecting your stove to a masonry chimney: the chimney itself and the thimble where the stovepipe connects to the chimney. Use only Code approved masonry chimneys with a flue liner.

Before connecting to a masonry chimney, hire a professional to examine the chimney for cracks, loose mortar, and other signs of deterioration and blockage. If the chimney needs repair, complete them before installing and using your stove. Do not install your stove until the chimney is safe for use. Make sure the chimney's cleanout is complete and working properly. To avoid a loss of draft, the cleanout door must close completely and provide a tight seal. If the cleanout door leaks, the chimney will cool, your stove will perform poorly, and creosote will build up.

Ensure the size of the chimney's flue is appropriate for this stove and that it is not too large. You can use a masonry chimney with a larger tile size – but see NFPA 211 for limitations. An oversized flue reduces draft, and contributes to the accumulation of creosote.

Use the following checklist to ensure that your masonry chimney meets these minimum requirements:

Masonry Chimney wall construction:

- 🔥 Mortared brick or modular block at least 4" (102 mm) thick
- 🔥 A mortared rubble or stone wall at least 4" (102 mm) thick

Flue liner options:

- 🔥 Tile - minimum wall thickness of 5/8" (16 mm)

- 🔥 Tile - installed with refractory mortar
- 🔥 Tile - at least 1" (25 mm) air space around liner
- 🔥 Stainless steel - UL listed 8" diameter
- 🔥 Stainless steel - fill space around liner with vermiculite (keeps liner warmer for better performance)
- 🔥 Ensure an equivalent flue liner is a listed chimney liner system meeting type HT requirements or other approved material.

Interior chimney requirements:

- 🔥 At least 2" (51 mm) clearance to combustible materials
- 🔥 Fire stops installed at the spaces where the chimney passes through floors and/or ceiling

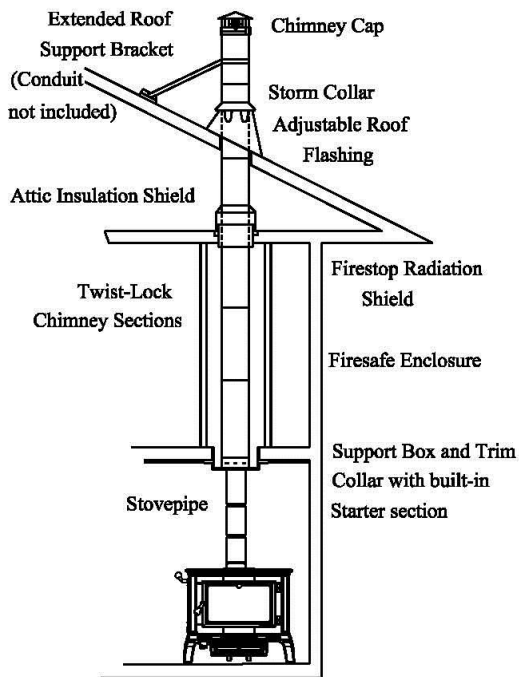
- 🔥 Any insulation is at least 2" (51 mm) from the chimney

Exterior chimney requirements:

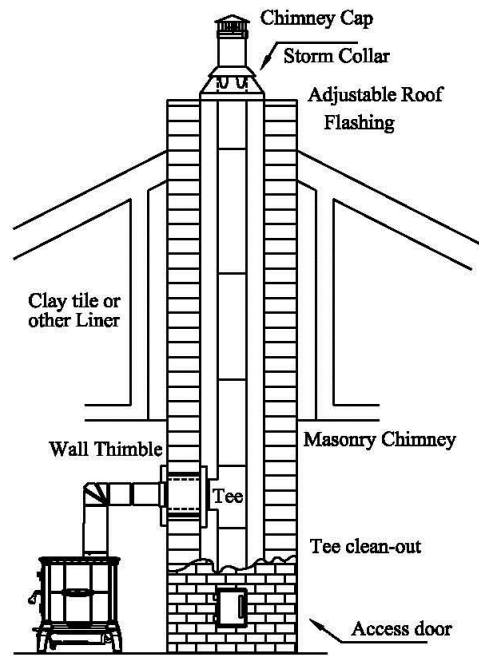
- 🔥 At least 1" (25 mm) clearance to combustible materials

Chimney height requirements (See Figure on page 15):

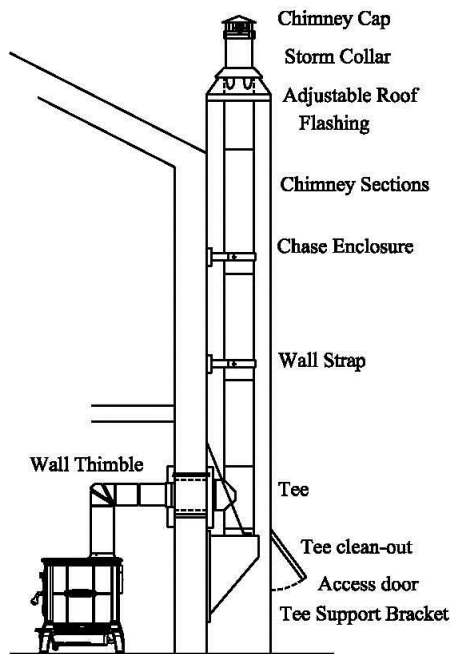
- 🔥 At least 3 feet (0.9 m) higher than the highest part of the roof opening through which it passes.
- 🔥 At least 2 feet (0.6 m) higher than any part of the roof within 10 feet (3 m) measured horizontally from the top of the chimney.
- 🔥 This stove requires a minimum chimney height of 13 feet (4 m).



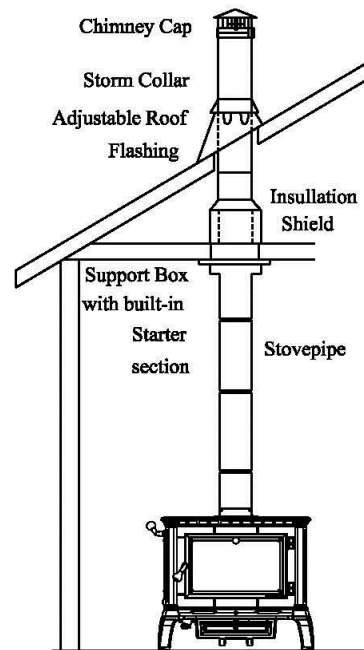
Two story house installation with attic.



Chimney pipe through Clay tile or other Lined Masonry Chimney



Chimney through outer wall with enclosed chase. Chimney is supported by Tee Support Bracket.



One story house installation with attic. Chimney is supported by Ceiling.

Figure 6: Typical Acceptable Chimney & Connector Configurations

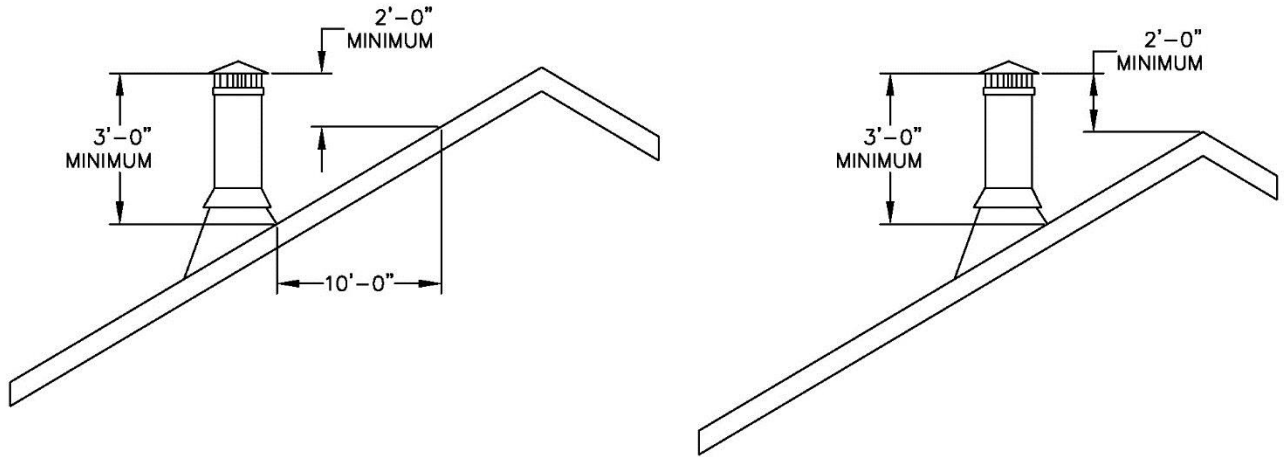


Figure 7: Chimney Height Requirements

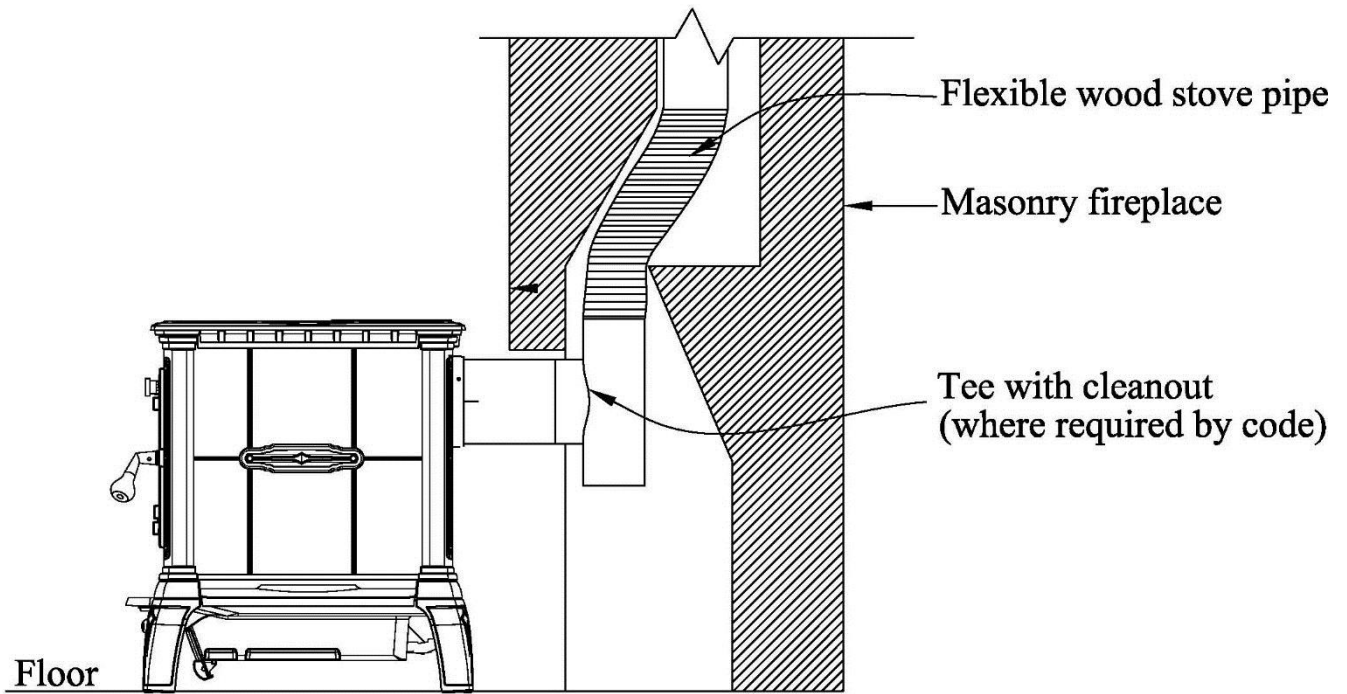


Figure 8: Typical Masonry Fireplace Installation

INSTALLING IN A MOBILE HOME

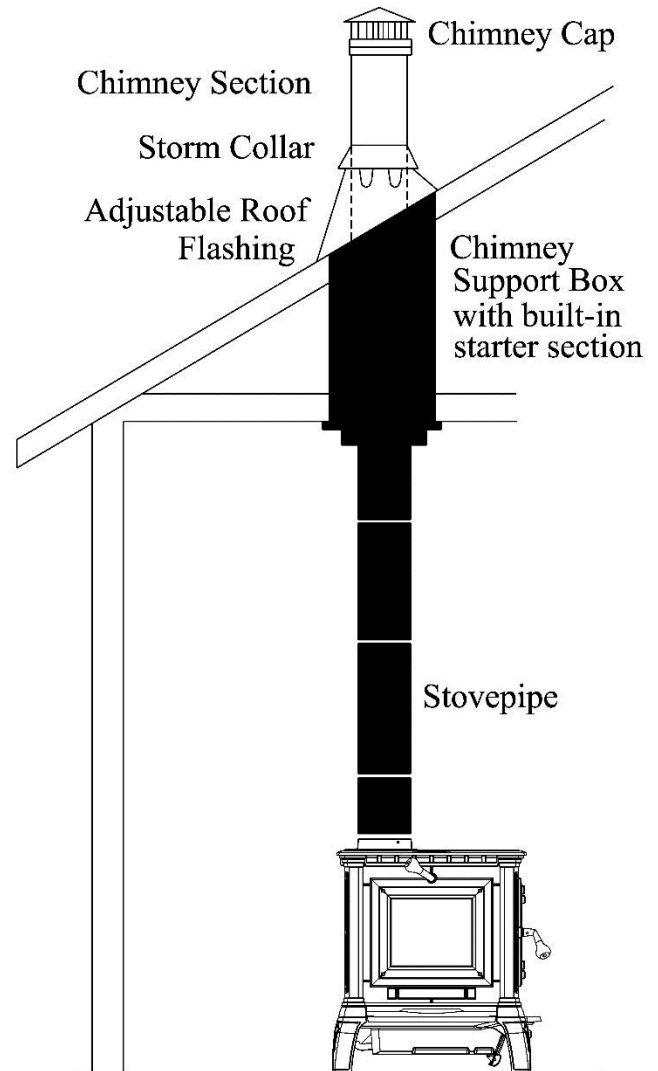
Follow these special requirements for installing your stove in a mobile home.

- 🔥 Install the stove in accordance with 24 CFR, Part 3280 (HUD).
- 🔥 A chimney cap spark arrestor is a requirement in mobile home installations.
- 🔥 Hearthstone recommends you install at least one smoke detector.
- 🔥 You must permanently attach the stove to your mobile home's floor. Use appropriate bolts through the existing holes in the legs, or use the clips that secured the Equinox to the pallet (see Detail 1 on page 7 of this manual).
- 🔥 Mobile home installations require the use of an outside air adaptor kit:
 - Hearthstone Kit # 93-53500 (See page 9)
- 🔥 Install the following Dura-Vent Mobile Home Chimney & Connector Kit (or equivalent):
 - 8DP-MH 8" Diameter S/N 9296N
 - Each kit includes:
 - Stainless spark arrestor cap, storm collar,
 - Adjustable vented flashing – 0/12 – 6/12,
 - Two 24" Dura/Plus* chimney pipes, 24" Support box with built-in starter section and trim. You must provide the appropriate connector pipe.

*(UL or ULC approved equipment is acceptable)

- 🔥 Remove the entire chimney and connector pipe prior to transporting the mobile home. Flexing of the structure during movement could damage the chimney components if not removed.
- 🔥 **WARNING: DO NOT INSTALL IN A SLEEPING ROOM IN A MOBILE HOME.**

🔥 **CAUTION: MAINTAIN THE STRUCTURAL INTEGRITY OF THE MOBILE HOME WALLS, FLOOR, CEILING, AND ROOF WHEN INSTALLING AND USING YOUR STOVE.**



Typical Mobile Home installation.
Chimney supported by ceiling.

Operation

Once installation of your Equinox is complete, you are ready to light a fire. Hearthstone tests each woodstove before we ship it, so you will easily light your first fire.

⚠ WARNING: HOT WHILE IN OPERATION! KEEP CHILDREN, CLOTHING AND FURNITURE AWAY. CONTACT CAN CAUSE SKIN BURNS.

Read this entire chapter before lighting your first fire. It explains the controls and features of your woodstove, how to choose firewood, and how to use your stove on a daily basis.

CONTROLS AND FEATURES

Before lighting any fires, become familiar with the location and operation of your stove's controls and features and learn how to use them. For your own safety, do not modify these features in any way. *The Equinox wood stove radiates heat into the surrounding area. In doing this, the controls of the heater can become very hot. Please use caution when using any of the controls. Do not use the controls unless the stove is cool or you have a hearth glove.*

FRONT & SIDE DOOR HANDLES: *(These become hot during operation. Use a fireplace glove to open the handle while the stove is in use)* The front & side doors allow you to load wood into your stove; fixed handles operate the doors. To open either door, rotate the handle clockwise and pull the door away from the stove. To latch the door, push the door tightly towards the firebox then rotate the handle counter clock-wise until it stops.

ASH GRATE LEVER: *(This becomes very hot during operation. It is best to operate the ash removal system after the stove cools.)* The ash grate lever folds up, and is located directly under the front edge of the ash lip. Reach under the right side of the ash lip and rotate the handle outward clockwise until it is fully extended. Use the ash grate lever to open and shake the ash grate to allow movement of the ashes from the firebox to the ash pan. Pull the lever out to open the grate. Once you have sifted the ashes through the grate into the ash pan, push the lever back in towards the stove to close the grate. Rotate the lever counterclockwise to store it back under the ash lip.

PRIMARY AIR CONTROL: *(This becomes hot during operation. It is best to operate the primary air system with a fireplace glove.)* The primary air control handle is located on the front lower left of the

stove, just under the left edge of the ash lip. The primary air control allows you to regulate the amount of air entering the firebox. Generally, the more air allowed into the firebox, the faster the rate of burn; conversely, less air creates a slower burn. For maximum air flow, move the primary air handle as far left as possible; move the primary air control handle as far to the right as possible for minimum air flow (does not close completely).

ASH PAN: *(This becomes hot during operation. It is best to remove the ash pan only after the stove cools).*

To access the ash pan you must open the ash pan compartment door (rotate the handle $\frac{1}{4}$ turn clockwise), which is located under the front ash lip. Open the control door and locate the ash pan handle. To remove the ash pan, grip the handle and then pull it out. The ash pan drawer will slide out with the ash pan and provides support for the pan while you install the pan's lid.

Lift the ash pan off the drawer with the lid's handle. The lid for the ash pan is stored under the stove, or where convenient for you. Use the lid only to contain the ashes during transport for disposal – do not leave in place.

The ash pan collects the ash residue from each fire and when full, allows you to remove the ash conveniently from your wood stove. Clear the firebox of ashes periodically by opening and shaking the ash grate in the bottom of the firebox. Sift the ashes through the grate into the ash pan, and then return the grate to its closed position (see images 1-3 on page 23).

To replace the ash pan, place the pan back onto the drawer ensuring the side pins engage the drawer's notches. Slide the ash pan and drawer back into place in the ash pan compartment. Lift and latch closed the compartment door by turning the handle counter-clockwise $\frac{1}{4}$ turn.

Do not operate the stove unless the ash compartment door is closed, and properly sealed. Not doing this could overheat and damage the stove.

CHOOSING FIREWOOD

Burn only natural firewood (known as cordwood) in the Equinox 8000 Woodstove. This stove is not designed, or certified to burn other fuels.

👉 CAUTION: DO NOT USE CHEMICALS OR FLAMMABLE FLUIDS TO START THE FIRE. DO NOT USE CHARCOAL, PELLETS, COAL, ARTIFICIAL LOGS OR ANY OTHER MATERIALS AS FUEL; THEY ARE NOT SAFE. DO NOT BURN GARBAGE OR FLAMMABLE FLUIDS.

The quality of your firewood directly affects heat output, duration of burn and performance of your stove. Softwoods generally burn hotter and faster, while hardwoods burn longer and produce better coals. Density and moisture content are two critical factors to consider when purchasing wood for your stove.

The following is a list of some wood species and their relative BTU (British Thermal Unit) content. The higher the BTU content, the longer the burn. Firewood with higher BTUs is generally ideal for a wood stove.

Wood Heat Value: Sorted By Btu Content		
Common Name	Lb/ cord	MBTU/ cord
High		
Osage Orange (Hedge)	4,728	32.9
Hickory, Shagbark	4,327	27.7
Hop Hornbeam (Ironwood)	4,267	27.3
Beech, Blue (Ironwood)	3,890	26.8
Birch, Black	3,890	26.8
Locust, Black	3,890	26.8
Hickory, Bitternut	3,832	26.7
Locust, Honey	3,832	26.7
Apple	4,100	26.5
Mulberry	3,712	25.8
Oak, White	4,012	25.7
Medium High		
Beech, European	3,757	24
Maple, Sugar	3,757	24
Oak, Red	3,757	24
Ash, White	3,689	23.6
Birch, Yellow	3,689	23.6

Medium		
Juniper, Rocky Mtn	3,150	21.8
Elm, Red	3,112	21.6
Coffeetree, Kentucky	3,112	21.6
Hackberry	3,247	20.8
Tamarack	3,247	20.8
Birch, Gray	3,179	20.3
Birch, White (Paper)	3,179	20.3
Walnut, Black	3,192	20.2
Cherry	3,120	20
Ash, Green	2,880	19.9
Cherry, Black	2,880	19.9
Elm, American	3,052	19.5
Elm, White	3,052	19.5
Sycamore	2,808	19.5
Ash, Black	2,992	19.1
Maple, Red	2,924	18.7
Fir, Douglas	2,900	18.1
Medium Low		
Boxelder	2,797	17.9
Alder, Red	2,710	17.2
Pine, Jack	2,669	17.1
Pine, Norway (Red Pine)	2,669	17.1
Pine, Pitch	2,669	17.1
Catalpa	2,360	16.4
Hemlock	2,482	15.9
Spruce, Black	2,482	15.9
Pine, Ponderosa	2,380	15.2
Low		
Aspen, American	2,290	14.7
Butternut (Walnut, White)	2,100	14.5
Spruce	2,100	14.5
Willow	2,100	14.5
Fir, Balsam	2,236	14.3
Pine, White (Eastern, Western)	2,236	14.3
Fir, Concolor (White)	2,104	14.1
Basswood (Linden)	2,108	13.8
Buckeye, Ohio	1,984	13.8
Cottonwood	2,108	13.5
Cedar, White	1,913	12.2

Moisture content also plays a key role in the performance of your stove. Wood freshly cut from a living tree (green wood) contains a great deal of

moisture. As you might expect, green wood burns poorly. You must season green wood before using it in your wood stove. To season green wood properly, split, stack, and allow it to air dry for a period of one year. Green wood may provide less than 2000 Btu per pound, whereas dry wood can provide up to 7000 Btu per pound.

Stack the firewood on skids or blocks to keep it off the ground, cover only the top of the stack. Plastic or tarps that cover the sides of the woodpile trap moisture and prevent the wood from drying. As for stacking, an old Vermonter said, "The spaces between the logs should be large enough for a mouse to get through, but not for the cat that's chasing it."

🔥 CAUTION: DO NOT STORE FIREWOOD WITHIN THE STOVE'S SPECIFIED CLEARANCES TO COMBUSTIBLE MATERIALS.

BUILDING A FIRE

Once you understand the controls of your wood stove and have the appropriate firewood, you are ready to start a fire.

BREAKING IN YOUR WOOD STOVE

It is imperative that your stove is "broken in" slowly. Soapstone must be "seasoned"; over-firing a new stove may cause soapstone to crack or may damage other stove parts. Removing the moisture in the soapstone slowly is critical to minimize the "shock" to the stone at its first exposure to high firebox temperatures. In addition, any moisture remaining in the asbestos-free furnace cement must also be slowly removed to ensure adequate sealing and bonding.

When you light your first fires, the woodstove will emit some smoke and fumes. This is normal "off-gassing" of any paints and oils used when manufacturing the woodstove. If you find it necessary, open a few windows to vent your room. The smoke and fumes will usually subside after 10 to 20 minutes of operation. The odor and smoke will end once the stove is "cured".

The first fires may produce other odors from impurities that exist in the area immediately surrounding the stove. Some potential impurities are cleaning solvents, paint solvents, cigarette smoke, and soot from scented candles, pet hair, dust, adhesives, a new carpet, and new textiles. These odors will dissipate over time. You can alleviate these odors by opening a few windows or otherwise creating additional ventilation around your stove. If

any odor persists, contact your dealer or an authorized service technician.

If you adhere to the operating procedures in this manual, the stainless steel, cast iron, and soapstone components of your stove will give you many years of trouble-free use. With use, the color of the soapstone will change and small fractures may appear on the surface of the stone. These changes will only add character and distinction to your stove.

Avoid the following conditions that can cause the glass, soapstone, steel or cast iron pieces to break:

- 🔥 Do not throw wood into the stove.
- 🔥 Do not use the door as a lever to force wood into the stove.
- 🔥 Do not load wood encrusted with ice into a burning stove - the thermal shock can cause damage.
- 🔥 Do not use a manufactured log grate. Burn the fire directly on the cast iron and stone bottom of the firebox.

The bottom layer of soapstone in the firebox prevents thermal stress and should remain in place in the firebox at all times.

BUILDING A BREAK IN FIRE

1. Open the front or side door and place five or six double sheets of tightly twisted newspaper in the center of the firebox. Arrange kindling in a crisscross pattern over the newspaper. Kindling should consist of approximately ten pieces, 1/2" (13 mm) in diameter and 10" to 20" (254 mm to 508 mm) long.
2. Fully open the primary air control by pushing the control handle fully to the left, away from the firebox.
3. Light the paper under the kindling. Close the side door and briefly leave the front door slightly ajar until the kindling burns and draft begins to pull.
4. Close the door and allow the fire to burn. Keep both the front and side doors closed while the stove is in use. Ensure the ash grate is in the closed position and the ash drawer compartment door is tightly closed.
5. **MONITOR YOUR STOVE** to maintain a steady, low-burn fire. Your first fire should make the stove warm but **not hot, to the touch**. At most, add a few small chunks of wood to the fire to reach safe break-in temperatures.
6. Once the stove is warm but **not hot to the touch**, close the primary air control by pushing it fully to the right to allow the fire to die out completely.


7. Let the stove return to room temperature.

Ensure your first break-in fire and each subsequent first fire each season thereafter is built and maintained as outlined above. A properly seasoned stove that will keep you warm for years to come will reward your patience.

NOTE: Because of the cool flue gas temperatures present during the break-in procedure, creosote may build up quickly. The stove's window may get dirty. A subsequent good, hot fire will clean the glass. We recommend a visual inspection (and cleaning if necessary) of your stovepipe and chimney after the break-in procedure is completed.

NORMAL OPERATION

Prior to loading the stove, ensure the ash grate and the ash compartment door both are closed. If left open, the stove will over-fire and will suffer damage.

 **WARNING! RISK OF SMOKE AND FLAME SPILLAGE, OPERATE ONLY WITH THE FRONT DOOR FULLY OPEN OR FULLY CLOSED.**

BUILDING A FIRE FOR EVERYDAY USE

- 1) Open the front door and place five or six double sheets of tightly twisted newspaper in the center of the firebox. Arrange kindling in a crisscross pattern over the newspaper. Use approximately 10 pieces of kindling, 1/2" (13 mm) in diameter and 10" to 20" (254 mm to 508 mm) long.
- 2) Fully open the primary air control by moving it completely to the left.
- 3) Light the paper under the kindling. Briefly leave the front door slightly ajar until the kindling burns and draft begins to pull.
- 4) Close the door and allow the fire to burn.
- 5) Once the kindling is burning well, open the front door and add logs - small at first, to build the fire up. Ensure you keep the logs away from the glass in front in order for the air-wash system to work properly. Keep the front and side doors, and ash compartment door closed while the stove is in use.
- 6) Once the fire is burning well, use the primary air control to regulate the desired rate of burn. Move the handle to the left to open the primary air control for a high rate of burn; or push it to the right for a low rate of burn. The air control does not close completely.

Note: When opening the front door to reload or rearrange logs, it is advisable to open the door just a crack, pause for a moment, then open the door completely. This procedure allows the firebox to clear of smoke before the door is open fully. In addition, reloading on a bed of hot, red coals reduces smoking

time and brings fresh fuel up to a high temperature rapidly.

BURN RATE

HIGH BURN: Fully load the firebox with wood on a bed of hot coals or on an actively flaming fire and fully open the primary air control by moving it all the way to the left, away from the ash lip. A high burn rate once or twice a day to heat the stovepipe and chimney fully, will help minimize creosote accumulation. Temperatures of top center stone near flue collar should be in the 500-600 degrees F range.

MEDIUM HIGH BURN: With the primary air control in the open, left most position, push the control handle about 1/4 to 1/2 the distance to the right. You should see temperatures around 450-500 degrees F.


MEDIUM LOW BURN: With the primary air control in the open, left most position, push the handle about 3/4 of the distance to the right. A medium-low burn rate is the typical setting and is preferable if the stove is unattended. You should see temperatures around 400-450 degrees F.


LOW BURN: Push the primary air control inward all the way to the right. This closes the air shutter to its minimum opening. A low burn rate over extended periods is not advisable as it can promote the accumulation of creosote. Inspect the venting system frequently if using low burn rates consistently. You should see temperatures around 300-400 degrees F.

OVER-FIRE CAUTION

Over-firing means the stove is operating at sustained temperatures above the recommended high burn temperatures outlined in the *BURN RATE* section. Carefully avoid over-firing, as it will damage the stove and void the warranty. Symptoms of chronic over-firing can include cracked stones, warped components, short burn times, a roaring sound in the stove or stovepipe, and discoloration of the stovepipe.

Excessive draft, inappropriate fuel, and operator error can cause over-firing. Correct an over-fire situation as follows:

 **EXCESSIVE DRAFT:** Contact your local dealer to have a draft reading taken. Any draft in excess of 0.1 Water Column requires a damper in the stovepipe. Some installations may require more than one damper.

 **INAPPROPRIATE FUEL:** Do not burn coal; kiln dried lumber, wax logs or anything other than natural cordwood.

🔥 **OPERATOR ERROR:** Ensure all the gaskets are in good condition. Replace worn out or compressed gaskets. Do not burn the stove with the front or side door, ash compartment door, or the ash grate in the open position.

If you suspect that your stove is over-firing, contact your dealer immediately. **Damage caused by over-firing is not covered by your warranty.** Results of over-firing can include warped or burned out internal parts, cracked stones, discolored or warped external parts, and damaged finish.

🔥 **CAUTION: NEVER USE GASOLINE, LANTERN FUEL, KEROSENE, DIESEL, HEATING FUEL OIL,**

CHARCOAL LIGHTER FLUID OR SIMILAR LIQUIDS TO START, OR 'FRESHEN UP' A FIRE IN THIS HEATER. KEEP ALL SUCH LIQUIDS WELL AWAY FROM THE HEATER WHILE IT IS IN USE.

🔥 **CAUTION: INSTALL A CARBON MONOXIDE DETECTOR IF USING THE STOVE WITH THE OPTIONAL SPARK SCREEN INSTALLED (FRONT DOOR OPENED). FOLLOW THE MANUFACTURER'S INSTALLATION INSTRUCTIONS. CARBON MONOXIDE IS A COLORLESS, ODORLESS GAS THAT REPLACES OXYGEN. HIGH CONCENTRATIONS OF CARBON MONOXIDE ARE LETHAL.**

REMOVAL AND DISPOSAL OF ASHES

Remove ashes only when the stove is cold. Use protective fireplace gloves if the ash pan is warm. Exercise extreme caution when handling, storing or disposing of ashes.

The ash pan is behind the ash compartment door located under the front ash lip. The ash pan collects burned ash from a fire and allows you to remove the ash conveniently from your wood stove. Clear the firebox of ashes often, and do not let them build up too high. It is important to prevent ashes from building up around the front door opening. To remove ashes, unfold and pull the grate lever out to open the grate. Shake the grate while sifting the ashes across the grate into the ash pan. Then return the ash grate to its closed position by pushing the lever back in towards the stove and then fold it back under the ash lip. The ash pan is easy to remove and has a handle and lid for convenient disposal of ashes (see *images 1-3 for ash pan operation and features*).

Dump ashes from the ash pan directly into a **steel** container with a tight fitting lid. Do not place any other items or trash into the steel container. Do not pour water into the container. Replace the container's lid and allow the ashes to cool. Never place the ash disposal container on a combustible surface or vinyl flooring, as the container could be **hot!**

Pending disposal, place the closed ash container on a noncombustible floor or on the ground, well away from all combustible materials, liquid fuels, or vehicles. Retain ashes in the closed container until all coals thoroughly cool.



Image 1 – Slide lid onto ash pan



Image 2 - Lift ash pan from drawer



Image 3 - Store ash pan lid under stove

Before removing the ash pan from the drawer, slide the lid in place. Then, slide the drawer out and lift the ash pan to remove it. Tilt the pan slightly so ashes do not spill. When returning the ash pan to the drawer, ensure the side pins engage the cutouts in the drawer. Remove the ash pan lid before sliding the drawer back into the ash pan compartment. Store the lid under the stove, or where convenient. **Note:** *The lid may be hot after removing the ashes.*

NEVER PLACE ASHES IN WOODEN OR PLASTIC CONTAINERS, IN TRASHCANS WITH OTHER TRASH, OR IN PAPER OR PLASTIC BAGS, NO MATTER HOW LONG THE FIRE IS OUT. COALS WITHIN A BED OF ASHES CAN REMAIN HOT FOR SEVERAL DAYS ONCE REMOVED FROM THE FIREBOX.

Maintenance

🔥 **NOTE: ANY SYMPTOMS OF OVER-FIRING WILL VOID YOUR WARRANTY!**

CREOSOTE FORMATION AND NEED FOR REMOVAL

When wood burns slowly at low temperatures, it produces tar and other organic vapors, which combine with expelled moisture to form creosote. These creosote vapors condense in the relatively cool chimney flue of a slow-burning fire. As a result, creosote residue accumulates on the flue lining. When ignited, this creosote makes an extremely hot fire, which may damage the chimney or even destroy the house. When burning wood, inspect the chimney connector and chimney at least once every two months during the heating season to determine if there is a creosote buildup.

To prevent the buildup of creosote:

Burn the stove with the primary air control fully open for 35 - 45 minutes daily to burn out creosote deposits from within the stove and the venting system.

After reloading with wood, burn the stove with the primary air control fully open for 20 to 30 minutes. This manner of operation ensures early engagement of the secondary combustion system that minimizes creosote buildup in the chimney.

If a creosote build-up occurs, inspect the stovepipe connector and chimney more often, at least monthly during the heating season to monitor the accumulation. If a creosote residue greater than 1/4" (6 mm) accumulates, remove it to reduce the risk of a chimney fire.

If your glass always remains dirty, your operating temperatures are too low or your wood is wet; therefore, there is a higher risk of creosote buildup.

Inspect the venting system at the stove connection *and* at the chimney top. Cooler surfaces tend to build creosote deposits faster, so it is important to check the chimney at the top (where it is coolest) as well as from the bottom near the stove.

Remove accumulated creosote with a cleaning brush specifically designed for the type of chimney in use. Use a certified chimney sweep to perform this service. Contact your dealer for the name of a certified chimney sweep in your area (your dealer may be a certified sweep).

We recommend that before each heating season you have the entire system professionally inspected, cleaned and repaired, if necessary.

FRONT DOOR REMOVAL PROCEDURE:

1. Open the door 45 to 90 degrees.
2. Remove the front door by lifting it straight up off the hinges with the hinge pins remaining in the door.
3. It may be necessary to apply considerable upward pressure on the door while swinging it back and forth slightly to work the hinge pins out of the bronze bushings.
4. Take care to avoid scratching the adjacent soapstone when the hinge pins come free.

GASKETS

Replace door gasket material every two to three seasons, depending on stove use. If the door seal leaks, a new gasket will ensure a tight seal and improve stove performance.

We recommend you only use Hearthstone replacement gaskets and adhesive when you need to replace your door gasket. Contact your dealer for a gasket kit that includes instructions, adhesive, and the gasket for your stove.

Required Door Gasket: Part Number: 3110-051, 68" Length, 1/2" Diameter.

FRONT DOOR GASKET REPLACEMENT:

1. To replace the front door gasket, remove the door from the stove (see door removal instructions above), Pull off the old rope gasket. Carefully remove any old gasket material and adhesive with a small screwdriver, or small cold chisel and a hammer. Clean all gasket channels with a small wire brush if necessary.
2. Apply a small amount of waterglass (sodium silicate), or a 1/8 inch bead of an approved gasket adhesive into the bottom of the entire gasket groove.
3. Start at the center of the hinge side of the door and push the new gasket into place uniformly without stretching or compressing the gasket material. Pinch the gasket into place as necessary.
4. Once the gasket is installed, re-install and close the door immediately to fully seat the gasket in the channel and ensure complete adhesion. Waterglass will dry quickly, and does not require heat to cure. Other adhesives may need heat to cure – so follow the product manufacturer's instructions.

5. Check the gasket seal using a dollar bill. Place the bill in various locations around the door. Close the door and remove the bill by pulling it out. If the bill slides out without resistance, the seal will leak. If the bill does not slide out, the door is too tight, and the gasket will wear quickly. If the test reveals varying results in different locations – the gasket may not be installed uniformly, or too much adhesive was used.
6. First, adjust the gasket as necessary by reseating it uniformly. If that does not work, adjust the latch mechanism so it applies more or less pressure when the door is closed.

SIDE DOOR GASKET REPLACEMENT:

1. To replace the side door gasket, open the door and support it so the hinge plate supports no weight. Remove the three Allen head bolts and lift the plate out of the way.
 - a. *Do not remove the door! The side door uses torsion springs to ease closing. Removing the door could cause unexpected spring tension release.*
2. Pull off the old rope gasket. Carefully remove any old gasket material and adhesive with a small screwdriver, or small cold chisel and a hammer. Clean all gasket channels with a small wire brush if necessary.
3. Apply a small amount of waterglass (sodium silicate), or a 1/8 inch bead of an approved gasket adhesive into the bottom of the entire gasket groove.
4. Start at the center of the hinge side of the door and push the new gasket into place uniformly without stretching or compressing the gasket material. Pinch the gasket into place as necessary.
5. Once the gasket is installed, re-install the hinge plate and close the door immediately to fully seat the gasket in the channel and ensure complete adhesion. Waterglass will dry quickly, and does not require heat to cure. Other adhesives may need heat to cure – so follow the product manufacturer's instructions.

LATCH ADJUSTMENT:

(Latch Kit #90-73010)

1. Test gasket seal quality with small latch adjustments first. Too much pressure makes the door difficult to open and close and prematurely wears the gasket.
2. Loosen the setscrew and rotate the handle assembly to increase or decrease spring pressure.

GLASS

Do not operate the stove with a broken door glass. Do not abuse the front door by striking or slamming. When necessary, clean the glass with commercial stove glass cleaners, which are available from your local dealer. Never attempt to clean the glass while the fire is burning or while the glass is hot. Remove deposits by following the instructions provided with the cleaner. To clean heavier, stubborn deposits, remove the door from the stove (See door removal procedures on page 24). Lay the door face down on a clean, padded workbench or table with the handle hanging over an edge, apply the cleaner to the glass and allow it to soak for a few minutes to allow the cleaner to penetrate any heavy deposits. Wipe the cleaner off with a soft cloth, or black & white newsprint.

Important: scratching or etching the glass will weaken the integrity of the glass. Do not use a razor blade, steel wool, or any other abrasive material to clean the glass. Use a cleaner specifically manufactured for woodstoves only.

The front door glass is a 5mm ceramic, shock-resistant glass, made specifically for use in woodstoves. Do not use any replacement glass other than the ceramic glass manufactured and supplied for use by Hearthstone in this woodstove. Replacement glass is available through your local dealer.

Replace the door glass immediately if broken or chipped. Contact your local dealer for replacement glass. The glass kit includes instructions and everything needed for the repair. If you replace the glass yourself, wear work gloves and safety glasses.

Required Glass Kit: Part Number: 90-58205 (5mm Ceramic Glass, gasket, and clips).

GLASS REPLACEMENT PROCEDURES:

1. Follow the instructions included with the replacement glass kit.
2. Remove the door (see door removal procedure on page 24).
3. Remove the screws from the glass retainer clips (use penetrating oil if necessary) – remove the clips (8) and lift off the glass. Set aside the clips for reinstallation.
4. Carefully lift the damaged glass out of the door and discard.
5. Remove any remaining glass and old gasket material.
6. Clean the screw holes and place a small amount of anti-seize compound in each one.

7. Install the ¼ inch rope gasket – peel off the adhesive backing, and press the gasket uniformly into the gasket channel.
8. Place the new glass onto the door.
9. **Important! Center the glass** and ensure that the edges of the glass are parallel with the edges of the opening.
10. Check glass position again (centered, and parallel), then screw the glass retainer clips back on the door.
11. Apply a light film of anti-seize lubricant on the door's hinge pins and bushings if needed.
12. Install the door.
13. After five or six fires, check the glass clip screws, and retighten if necessary.

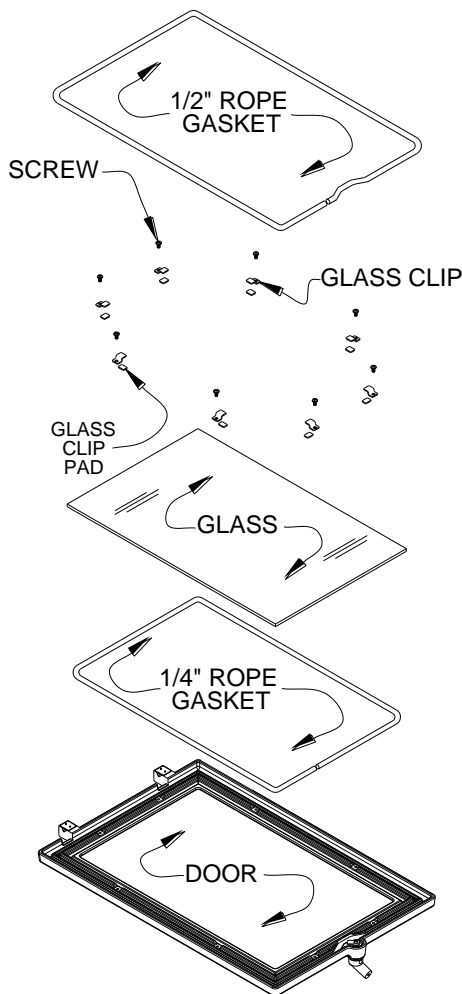


Figure 9: Door & Glass Assembly

STONE

Occasional cleaning is all that is necessary to maintain the natural beauty of your stove's soapstone finish. Clean the soapstone with water, any non-abrasive cleaner and a soft cloth. Wipe dust from the stone with a clean cloth. Do not use chemical agents to wash the stone; do not use waxes or any polishing agents on the stone.

Take care not to scratch or chip the soapstone. Do not set items that can scratch or chip the stone on top of your stove. Do not use sandpaper to buff out scratches, as it will remove the polished surface of the stone.

Contact your local Hearthstone dealer for accessories such as trivets, or soapstone tiles if you intend to place metal pots on the stove. Your Hearthstone dealer has a soapstone steamer pot available, which will complement your soapstone stove.

Often, with use and over time, subtle earth tones of brown, red, and yellow may appear in the soapstone. This is a natural reaction in the soapstone. Surface or hairline fractures may also appear in the stone after a stove is used. Such changes are normal and do not affect the operation or the integrity of the stove and do not require replacement.

If you observe a completely broken stone, contact your dealer for a replacement. Please note that a replacement stone will most likely not exactly match your existing stones. When Hearthstone manufactures a soapstone woodstove, we strive to match all the stones on the stove as closely as possible. However, over time, the original stones on your stove will change as mentioned above. In addition, even stone from the same quarry is not uniform in grain, or color.

Troubleshooting

COMMON ISSUES

Virtually all woodstove operators experience basic common problems at one time or another. Most are correctable and generally require only a minor adjustment of the stove, installation, or operating technique. In cases where weather conditions dramatically affect stove performance, the problems are typically temporary and solve themselves once the weather changes.

If you question whether your stove is producing adequate heat, the best way to troubleshoot the problem is to monitor the temperature of the chimney connector (single wall) no more than 12 inches (30 cm) above the flue collar. A 400° F (200° C) single wall stovepipe confirms the stove is supplying sufficient heat. If you are using a double wall chimney connector, measure the temperature at the flue collar. Keep in mind that your house itself will regulate room/house temperatures. How well the walls, floors and ceilings are insulated, the number and size of windows, the tightness of outside doors, and the construction or style of your house (vaulted ceilings or other open spaces which collect large percentages of heat, ceiling fans, etc.) all are determining factors of room temperature.

Your stove's performance is also dependant on its installation. One common cause of poor performance is an oversized chimney flue. Oversized chimney flues result in decreased draft, which prevents the smoke from rising out the chimney. Oversized flues are also more difficult to heat effectively, especially when burning a high efficiency stove. Cool flue temperatures inhibit the establishment of a strong draft (and encourage the accumulation of creosote). The lack of a strong draft will cause the fire to die down and may even force smoke to pour into the room.

If your chimney is the proper size and a strong draft is not easily established, there is the possibility that the chimney is too cold. Again, warm/hot chimneys promote stronger drafts. Briefly opening a window (in the room containing the stove) during lighting may help.

Other draft guidelines are as follows:

An "**AIRTIGHT**" HOUSE: The air supply (infiltration) to the interior of the house may be inadequate if your

home is super-insulated or especially well sealed. This phenomenon of air starvation within the building is exacerbated if exhaust fans, such as clothes dryers, bathroom fans or cook stove exhaust fans, are in operation within the home. Outfitting your stove with the optional outside air adaptor connected to an air duct, which leads to the outside of the building, can correct this problem.

TALL TREES OR BUILDINGS: These obstructions, when located close to the top of the chimney can cause chronic or occasional downdrafts. When selecting a site for a new chimney, consider the placement of other objects near the proposed chimney location.

WIND VELOCITY: Generally, the stronger and steadier a wind, the stronger (better) the draft. However, "gusty" wind conditions can cause erratic downdrafts. For consistent problems, consider a high wind cap, such as the Vacu-Stack.

BAROMETRIC PRESSURE: Chimney drafts are typically sluggish on balmy, wet or muggy days (low barometric pressure). This is a weather-related phenomenon, which generally is self-correcting as the weather changes.

BRISKNESS OF FIRE: The hotter the fire in your stove, the hotter your chimney and, therefore, the stronger the draft.

BREAKS IN THE VENTING SYSTEM: An unsealed clean-out door at the bottom of the chimney, leaky stovepipe joints, a poor stovepipe-to-thimble connection, missing caps, or a leaky chimney all can cause inadequate draft.

SEASONAL FACTORS: Early fall and late spring are generally difficult seasons in which to establish proper drafts. The colder the outside air is relative to room temperature, the stronger the draft.

Operating the Stove

As outlined above, there are days when a good draft is just not easy to establish. The causes are usually seasonal factors or a cold chimney. Try starting the fire by using small kindling and fuel to obtain a quick, hot fire. Tend the fire frequently with small fuel until the chimney is hot and the draft is well established. Sometimes, partially opening a window briefly will help quickly get draft established.

TROUBLESHOOTING GUIDE:

PROBLEM	POSSIBLE CAUSE	SOLUTIONS
STOVE SMOKES	Operating Technique	Fully open the primary air control one minute before opening doors. Open doors slowly – rapid movement can suck smoke out of the stove.
	Cold Chimney	Preheat the chimney when first starting a fire. Briefly open a window in the room containing the stove.
	Blocked Chimney	Examine the chimney and stovepipe for blockage or creosote accumulations.
	Blocked outside air duct	Examine the duct and outside inlet for blockage caused by snow, insects, or debris accumulations.
	Outside air inlet too high	Reduce mounting height until below inlet level on stove.
	Oversized Chimney	Reline the chimney to the appropriate diameter
	Undersized Chimney	Install a draft inducer or replace the chimney.
	Chimney Too Short	Lengthen the chimney.
	Air Infiltration Into The Chimney	Seal chimney connections and openings such as clean-out doors.
	More Than One Appliance Connected to the Flue	Disconnect all other appliances and seal openings.
BACK-PUFFING OR GAS EXPLOSIONS	Operating Technique	Fully open the primary air control one minute before opening the door and keep it fully open for a few minutes after reloading.
	Extra Low Burn Rate	Burn the stove at a higher burn rate.
	Blocked outside air duct	Examine the duct and outside inlet for blockage caused by snow, insects, or debris accumulations.
	Chimney Down-draft	Install a chimney cap.
	Excessive Ash Build-up	Empty the ash pan more frequently. Increase efficiency of burns, and avoid using poor quality or green wood.
UNCONTROLLED OR SHORT BURN	Unsealed or Open Door Open ash grate	Close the door tightly or replace the gaskets. Slide ash grate to closed position.
	Excessive Draft	Check the installation. Operate at LOW BURN. Install stovepipe damper.
	Extra Long Chimney	Shorten the chimney. Install stovepipe damper(s).
	Oversized Chimney	Reline the chimney to the proper diameter.
	High Winds or Hilltop Location:	Install a chimney cap.
	Excessive Draft	Correct draft in excess of 0.1 wc with a stovepipe damper(s)
INSUFFICIENT HEAT	Poor Quality or Green Wood	Use only air-dried wood, preferably dried <u>at least</u> one year.
	Low Burn Rate	Operate the stove at a higher burn rate.
	Blocked outside air duct	Examine the duct and outside inlet for blockage caused by snow, insects, or debris accumulations.
	Air Insulated Chimney	Replace with a pre-fabricated insulated chimney system or a properly sized masonry chimney.
	Cold Exterior Chimney	Reline or insulate the chimney.
	Leaky Stovepipe or Chimney	Check the installation.
	Too Much Heat Loss From House	Add insulation, use energy efficient windows, or caulk windows, and seal openings in home.
	Excessive Ash Build-up	Empty the ash pan more frequently. Increase efficiency of burns, and avoid using poor quality or green wood.
BLISTERING OF FINISH	Operating Technique	Do not over-fire the stove. Monitor stove temperatures. Use seasoned wood only.
	Excessive Draft	Check the DRAFT. A damper may be required. Operate the stove at a LOW BURN range.

Replacement Parts Kits & Optional Accessories:

ITEM	PART #	DESCRIPTION	ITEM	PART #	DESCRIPTION
PART REPLACEMENT KITS			OPTIONAL ACCESSORIES		
1	90-58205	GLASS REPLACEMENT KIT	6	93-53500	OUTSIDE AIR KIT
2	90-73010	LATCH REPLACEMENT KIT	7	90-57502	BLOWER
3	90-76010	BAFFLE REPLACEMENT KIT	8	90-68000	REAR HEAT SHIELD
4	90-58010	GASKET REPLACEMENT KIT	9	90-69000	SPARK SCREEN
DOCUMENTATION			10	90-70200	SIDE DOOR LOCK KIT
5	6400-40455	OWNER'S MANUAL			

Rating Label

CONTACT YOUR LOCAL BUILDING AND INSTALLATION



OFFICIALS ABOUT RESTRICTIONS INSPECTION IN YOUR AREA



Intertek
WN 14507

Listed Room Heater, Solid Fuel Type
Also Suitable for Mobile Home Installation Pursuant to (UM)84-HUD

Intertek Testing Services NA, inc.

Manufactured by: **HearthStone**
Quality Home Heating Products

317 Stafford Ave.
Morrisville VT 05661
USA

"PREVENT HOUSE FIRES"

Install and use only in accordance with manufacturer's installation instructions and your local building codes.

CAUTION: Special methods are required when passing chimney through a wall or ceiling, refer to local building codes. Do not connect this unit to a chimney flue serving another appliance.

NOTE: Replace glass only with 5mm CERAMIC or NEOCERAM glass.

WARNING: (MOBILE HOME) An outside air inlet must be provided for combustion and be unrestricted while unit is in use.

SERIAL # XXXXXXXXXX

MODEL NAME: EQUINOX 8000

TESTED TO: UL 1482, ULC S627

TYPE OF FUEL: Solid Wood Only

WARNINGS:

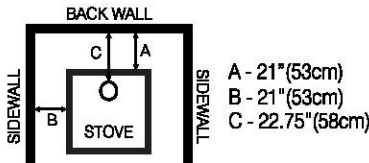
Risk of smoke and flame spillage. Operate only with front door fully open, or fully closed.

Keep ash grate and side door closed when not in use.

Do not use grate or elevate fire. Build wood fire directly on hearth.

Do not over-fire. If the heater or chimney connector glows, you are overfiring.

Clearance to Combustible Materials*



- A - 21" (53cm)
- B - 21" (53cm)
- C - 22.75" (58cm)

* Refer to the Installation Manual for additional clearance information.

VENT REQUIREMENTS:

Use only a lined masonry or listed Type HT factory-built chimney.

Use 24-ga. Black chimney connector.

OPTIONAL KITS:

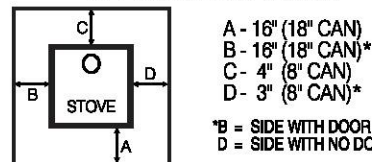
- Outside Air #93-53500
- Blower #90-57502
- Rear Heat Shield #90-68000
- Spark Screen #90-69000
- Side Door Lock Kit #90-70200

When installed on a combustible floor, non-combustible floor protection with an R Value of 1.0 is required to:

A. Cover the area beneath the heater, and extend at least 16" (18" Canada) to the front and 8" to the sides of the fuel opening (8" other sides in Canada).

B. Cover the area beneath the chimney connector and 2' beyond each side.

FLOOR PROTECTION



- A - 16" (18" CAN)
- B - 16" (18" CAN)*
- C - 4" (8" CAN)
- D - 3" (8" CAN)*

*B = SIDE WITH DOOR
D = SIDE WITH NO DOOR

MEASURE C AND D FROM STONE BODY OF STOVE

U.S. ENVIRONMENTAL PROTECTION AGENCY
Certified to comply with July 1, 1990 particulate emissions standards



CAUTION: HOT WHILE IN OPERATION. DO NOT TOUCH. KEEP CHILDREN, CLOTHING AND FURNITURE AWAY. CONTACT MAY CAUSE SKIN BURNS. SEE NAMEPLATE AND INSTRUCTIONS. INSPECT AND CLEAN CHIMNEY AND CONNECTOR FREQUENTLY. UNDER CERTAIN CONDITIONS OF USE, CREOSOTE BUILDUP MAY OCCUR RAPIDLY.

Date of Manufacture

2010 2011 2012 Jan. Feb. Mar. Apr. May Jun. Jul. Aug. Sep. Oct. Nov. Dec.

DO NOT REMOVE OR COVER THIS LABEL

3300-631 Rev A



Limited Warranty

These warranties give you specific legal rights. You may also have other rights which vary from State to State.

Hearthstone Quality Home Heating Products, Inc. (Hearthstone) warrants to the original retail purchaser only (the "Original Purchaser") the new appliance manufactured by Hearthstone, purchased by the Original Purchaser and installed by an authorized Hearthstone dealer or their designated representative against any of the occurrences listed in this document that result from defects in material or workmanship. This warranty is not transferrable. All obligations of Hearthstone under this document commence on the date of the Original Invoice (the "Purchase Date"). The term "Limited Lifetime" is defined as 10 years from the beginning of warranty coverage.

Hearthstone appliances are designed to be operated only with the fuels listed in your owner's manual.

Warranty Period	Wood	Gas	Pellet	Covered Components
Limited Lifetime	X	X	X	Stone
	X	X	X	Cast iron not listed elsewhere
	X			Clean burning air supply system*
5 Year	X	X	X	Door handles and latches
	X	X	X	Steel Components and Firebox
		X		Burner and logs
3 Year			X	Burn Pot and Baffles
2 Year	X	X	X	Appliance Electrical and Gas Components
	X	X		Refractory, Vermiculite Panels, Baffles
1 Year	X	X	X	Enamel finish against peeling or fading
	X	X	X	Accessories
	X	X	X	Glass
	X			Ash Grate
	X	X	X	All components not listed elsewhere

Any parts repaired or replaced during the limited warranty period will be warranted under the terms of the limited warranty for a period not to exceed the remaining term of the original limited warranty or one year, whichever is longer.

Parts: Hearthstone will replace through an authorized dealer, defective parts covered by the foregoing warranty at no charge.

Labor: Within the first (1st) year after the Purchase Date, Hearthstone will pay for warranty labor performed by an authorized Dealer at Hearthstone's published labor rates in effect at the time the labor is performed only if the appliance is installed by an authorized dealer or their designated representative. Otherwise or thereafter, the Original Purchaser is responsible for the cost of labor.

Shipping cost for parts: Within the first ninety (90) days after the Purchase Date, Hearthstone will pay for the shipping of appliance parts covered by any of the foregoing warranties to and from Hearthstone or an authorized

Dealer, as the case may be. Thereafter, the Original Purchaser is responsible for all shipping costs related to shipping appliance parts to and from Hearthstone or an authorized Dealer, as the case may be.

Shipping cost for the appliance: Within the first (1st) year after the Purchase Date, if the Original Purchaser is instructed to return the appliance to Hearthstone or an authorized Dealer for repair, Hearthstone will pay fifty percent (50%) and the Original Purchaser will pay fifty percent (50%) of the shipping costs related to shipping the appliance to and from Hearthstone or an authorized Dealer, as the case may be. Thereafter, the Original Purchaser is responsible for one hundred percent (100%) of all of the shipping costs related to shipping the appliance to and from Hearthstone or an authorized Dealer, as the case may be. Notwithstanding any other provision of this document, in no event will Hearthstone pay for any Dealer fees or other fees for pick up or delivery of the appliance returned for repair; the Original Purchaser shall be responsible for any such fees.

EXCLUSIONS & CONDITIONS

The warranties contained in this document do not cover, nor is Hearthstone responsible for:

1. Damages resulting from:
 - a. Failure to install, operate, or maintain the appliance in accordance with the owner's manual, operating instructions, installation instructions, or safety rating label provided with the appliance.
 - b. Over-firing the appliance. Over-firing can be identified by, but not limited to, warped cast iron or steel, rust colored cast iron, bubbling, cracking and discoloration of steel or enamel finishes.
 - c. Failure to install the appliance in accordance with all national or local building codes.
 - d. Shipping or improper handling.
 - e. Improper operation, abuse, misuse, continued operation with damaged, corroded, or failed components, accident, or improper/incorrect service or repairs.
 - f. Environmental conditions, inadequate ventilation, negative pressure, or improper drafting caused by tightly sealed constructions, insufficient make-up air supply, or air handling devices such as exhaust fans, forced air furnaces, or other such causes.
 - g. Damage caused by direct exposure to water.
 - h. Use of fuels other than those specified in the owner's manual.
 - i. Installation or use of components not supplied with the appliance, or any other components not expressly authorized and approved by Hearthstone.
 - J. Modifications of the appliance not expressly authorized and approved by Hearthstone in writing
 - K. Interruptions or fluctuations of electrical power supplied to the appliance.
2. All stones are warranted against cracking or breakage due to thermal stress, excluding surface and hairline cracks and scratches that do not affect the operation, or safety of the appliance.
3. Repair or replacement of wear parts. Such parts that are subject to normal wear and tear during the warranty period such as paint, gaskets, baffles, refractory materials, ash grates, and glass.
4. Damage resulting from installation, modification, alteration, repair or service of the appliance by any party other than an authorized Hearthstone dealer (a "Dealer") or their designated representative, or Hearthstone.
5. Damage due to water or condensation due to installation of the appliance in a high moisture area.
6. Damage due to installation of the appliance in an atmosphere contaminated by damaging chemicals, including but not limited to chlorine, fluorine or salts.
7. Scratches on glass, enameled surfaces or stones due to mechanical abrasion.
8. Noise caused by expansion or contraction caused by the heating and cooling of the appliance.
9. Odors caused by the heating of the appliance, or surrounding materials
10. Consequential damage caused by leaking of condensate during startup
11. A defect in any part of the appliance if the Original Purchaser fails to comply with Hearthstone's or a Dealer's request to ship the part or the appliance to Hearthstone or a Dealer, as the case may be.
12. Replacement stones and enameled parts are taken from current stock, and may not match originals in color, grain, or pattern. Hearthstone will supply replacement parts for discontinued parts in finishes or colors as available, or at their discretion.
13. Hearthstone's obligation under this warranty does not extend to the appliance's ability to heat the desired space. Information is provided to assist the customer and the dealer in selecting the appropriate appliance for the application. Consideration must be given to appliance location and configuration, environmental conditions, insulation and air tightness of the structure.

THE WARRANTIES CONTAINED IN THIS DOCUMENT ARE EXCLUSIVE AND ARE GIVEN BY HEARTHSTONE AND ACCEPTED BY THE ORIGINAL PURCHASER IN LIEU OF ALL OTHER EXPRESS WARRANTIES AND ANY OBLIGATIONS, LIABILITIES, RIGHTS, CLAIMS, OR REMEDIES IN CONTRACT OR

TORT, WHETHER OR NOT ARISING FROM HEARTHSTONE'S NEGLIGENCE, ACTUAL OR IMPUTED. ALL IMPLIED WARRANTIES, INCLUDING THE WARRANTIES OF MERCHANTABILITY AND FITNESS FOR A PARTICULAR PURPOSE, ARE GIVEN ONLY TO THE EXTENT REQUIRED BY FEDERAL OR STATE LAW. EXCEPT AS OTHERWISE REQUIRED BY STATE LAW, UPON THE EXPIRATION OF THE EXPRESS LIMITED WARRANTIES CONTAINED HEREIN, NO IMPLIED WARRANTIES, INCLUDING THE IMPLIED WARRANTIES OF MERCHANTABILITY OR FITNESS FOR A PARTICULAR PURPOSE, SHALL APPLY TO THE SUBJECT APPLIANCE. SOME STATES DO NOT ALLOW LIMITATIONS ON HOW LONG AN IMPLIED WARRANTY LASTS, SO THE ABOVE LIMITATION MAY NOT APPLY TO YOU.

THE WARRANTIES CONTAINED IN THIS DOCUMENT EXTEND ONLY TO THE ORIGINAL PURCHASER OF THE APPLIANCE WARRANTED HEREUNDER. THEY ARE NOT TRANSFERRABLE AND DO NOT EXTEND TO ANY SUBSEQUENT OWNERS.

UNDER NO CIRCUMSTANCES SHALL HEARTHSTONE BE LIABLE TO THE ORIGINAL PURCHASER OR ANY OTHER PERSON FOR ANY INCIDENTAL OR CONSEQUENTIAL DAMAGES, INCLUDING BUT NOT LIMITED TO DAMAGE TO PROPERTY OR PERSONAL INJURIES, WHETHER ARISING OUT OF LOSS OF USE, BREACH OF WARRANTY, TORT, OR OTHERWISE, EVEN IF HEARTHSTONE HAS BEEN APPRAISED OF THE POSSIBILITY OF SUCH DAMAGES. SOME STATES DO NOT ALLOW THE EXCLUSION OR LIMITATION OF INCIDENTAL OR CONSEQUENTIAL DAMAGES, SO THE ABOVE LIMITATION OR EXCLUSION MAY NOT APPLY TO YOU.

QUALIFYING FOR WARRANTY COVERAGE

To obtain performance of any obligation under this document, the Original Purchaser must, within the applicable warranty time period, contact their original Hearthstone dealer, or the current responsible local Hearthstone dealer, for instructions regarding the return of defective parts for repair, the return of the appliance for repair, or to schedule a Dealer service call. The Original Purchaser should refer to the Dealer Network search engine contained on Hearthstone's Web site (www.hearthstonestoves.com) if the original dealer is not available, to find a Hearthstone dealer nearest to the Original Purchaser's location.

REMEDY

The remedy for any breach of the foregoing warranties will consist of repair or replacement, at Hearthstone's option, of any covered defect in the appliance. When the Original Purchaser contacts a Hearthstone Dealer, the Dealer on behalf of Hearthstone, as the case may be, will instruct the Original Purchaser to either return the defective part, or the entire appliance (if requested), to the Dealer or Hearthstone or allow a Dealer to make a service call at the place where the appliance is located. Hearthstone may require that a digital picture be provided to support the claim. Notwithstanding any other provision of this document, the Original Purchaser shall pay for any fees and service charges related to a Dealer's service call or the shipping charges associated with the return.

WARRANTY REGISTRATION

The Original Purchaser can complete their warranty registration on our website at www.hearthstonestoves.com, or send a completed and signed Warranty Registration Form, which is enclosed in the appliance document packet, to the following address:

Hearthstone Quality Home Heating Products, Inc.
Warranty Department
317 Stafford Avenue
Morrisville, VT 05661

NOTE: SENDING IN THE SIGNED WARRANTY REGISTRATION FORM IS *NOT REQUIRED* AS A CONDITION OF WARRANTY COVERAGE OR HEARTHSTONE'S PERFORMANCE.