



DVI-44 8860 Illustrated Parts List

82

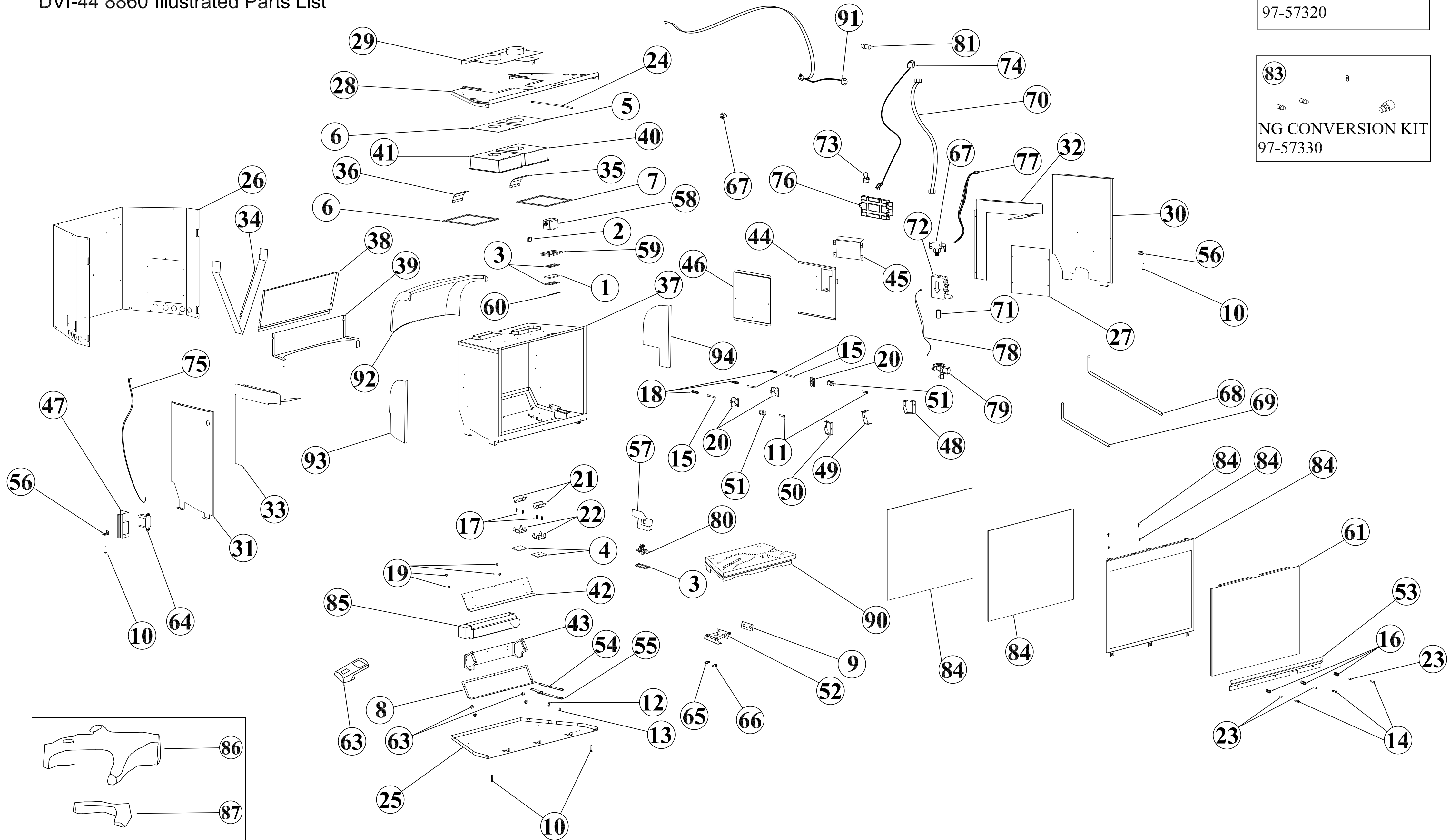
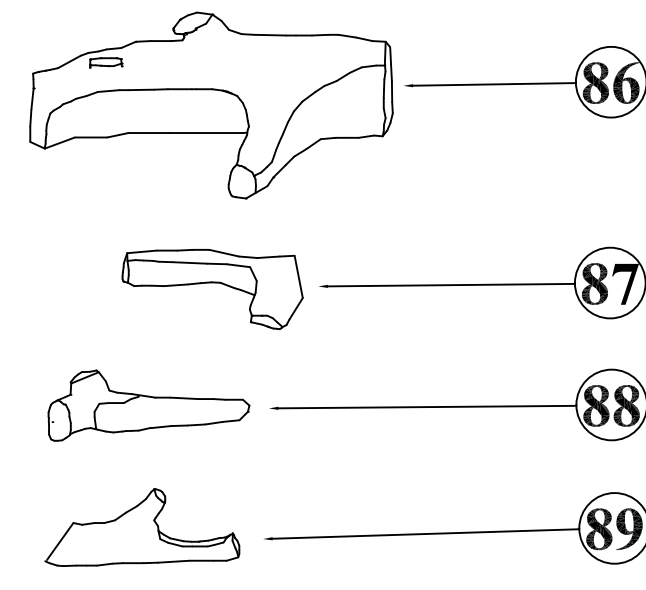


LP CONVERSION KIT
97-57320

83



NG CONVERSION KIT
97-57330

LOG SET 98-66600

| 8860 DX Exploded View Key | | | |
|----------------------------------|--------------------|------------------------------------|------------|
| Key | Part Number | Object Description | Qty |
| 1 | 3030-435 | Glass: Ambient Light | 1 |
| 2 | 3120-160 | 1"x1"x 1/4" Ambient Light Plug | 1 |
| 3 | 3160-152 | Gasket: Pilot and Ambient Light | 3 |
| 4 | 3160-227 | Gasket: Air Shutter | 2 |
| 5 | 3160-860 | Gasket: Exhaust Manifold | 1 |
| 6 | 3160-861 | Gasket: Inlet Manifold | 1 |
| 7 | 3160-862 | Gasket: Inlet & Exhaust | 2 |
| 8 | 3160-863 | Gasket: Blower Hatch | 1 |
| 9 | 3160-872 | Gasket: Orifice Manifold | 1 |
| 10 | 4100-0117 | Leveling Bolt: 1/4-20 x 1-1/2" | 4 |
| 11 | 4100-0295 | Screw: Shoulder 5/16 x 1" socket | 2 |
| 12 | 4100-0300 | Screw: Shoulder 5/16 x 3/8" socket | 1 |
| 13 | 4500-0570 | Screw: 1/4-20 x 1/2" | 1 |
| 14 | 4500-1040 | Screw: 1/4-20 x 1" Button | 3 |
| 15 | 4500-1400 | Screw: 1/4-20 x 2-1/4" Hex | 3 |
| 16 | 5000-108 | Spring: .48" OD x .5" Long | 3 |
| 17 | 5240-139 | Spring: Air Shutter | 4 |
| 18 | 5240-150 | Spring: Top Glass Frame | 3 |
| 19 | 5491-090 | Bushing: Blower | 4 |
| 20 | 5710-279 | Handle: Glass Spring Clip | 3 |
| 21 | 5710-313 | Air Shutter | 2 |
| 22 | 5710-314 | Slider: Air Shutter | 2 |
| 23 | 5710-405 | Sleeve: Glass Mounting | 3 |
| 24 | 5850-086 | Tool: Flue (For Installation) | 1 |
| 25 | 5860-000 | Exterior Base | 1 |
| 26 | 5860-005 | Exterior Sides | 1 |
| 27 | 5860-007 | Access Panel | 1 |
| 28 | 5860-010 | Exterior Top | 1 |
| 29 | 5860-015 | Flue Collar | 1 |
| 30 | 5860-025 | Heat Shield, Right Side | 1 |
| 31 | 5860-030 | Heat Shield, Left Side | 1 |
| 32 | 5860-035 | Air Channel, Right Side | 1 |
| 33 | 5860-040 | Air Channel, Left Side | 1 |
| 34 | 5860-045 | Air Channel, Rear | 1 |
| 35 | 5860-050 | Air Channel, Right Corner | 1 |
| 36 | 5860-055 | Air Channel, Left Corner | 1 |
| 37 | 5860-071 | Firebox | 1 |
| 38 | 5860-075 | Firebox, Rear Interior, Upper | 1 |
| 39 | 5860-076 | Firebox, Rear Interior, Lower | 1 |
| 40 | 5860-080 | Manifold: Exhaust | 1 |
| 41 | 5860-085 | Manifold: Inlet | 1 |
| 42 | 5860-090 | Blower Hatch | 1 |
| 43 | 5860-095 | Blower Bracket | 1 |
| 44 | 5860-101 | Valve Tray | 1 |

| | | | |
|----|-----------------|---|---|
| 45 | 5860-103 | Control Board Shield | 1 |
| 46 | 5860-106 | Valve Tray Track | 1 |
| 47 | 5860-111 | Manual Controls Bracket | 1 |
| 48 | 5860-115 | Right Glass Mounting Bracket | 1 |
| 49 | 5860-120 | Middle Glass Mounting Bracket | 1 |
| 50 | 5860-125 | Left Glass Mounting Bracket | 1 |
| 51 | 5860-130 | Façade Roller | 2 |
| 52 | 5860-135 | Orifice Manifold | 1 |
| 53 | 5860-145 | Glass Frame Clip | 1 |
| 54 | 5860-150 | Air Shutter Lever, Primary | 1 |
| 55 | 5860-155 | Air Shutter Lever, Secondary | 1 |
| 56 | 5860-170 | Leg Leveling Base | 2 |
| 57 | 5860-176 | Pilot Shield | 1 |
| 58 | 5860-177 | Ambient Light Shield Box | 1 |
| 59 | 5860-178 | Ambient Light Shield Plate | 1 |
| 60 | 5860-179 | Deflector: Ambient Light Shield | 1 |
| 61 | 5860-180 | Front Glass Screen | 1 |
| 62 | 7000-130 | Grommet: Blower | 4 |
| 63 | 7000-393 | Remote Control Transmitter | 1 |
| 64 | 7000-397 | Battery Holder- On/Off/Remote Switch | 1 |
| 65 | 7200-438 | #38 Rear Orifice | 1 |
| 66 | 7200-467 | #46 Front Orifice | 1 |
| 67 | 7211-004 | Shut-off Valve | 1 |
| 68 | 7211-017 | Flex Tube 3/8 x18" | 1 |
| 69 | 7211-018 | Flex Tube 3/8" x 12" | 1 |
| 70 | 7211-029 | Flex Tube 3/8" x 36" | 1 |
| 71 | 7211-033 | Nipple: 3/8" x 2" | 1 |
| 72 | 7211-111 | Gas Control Valve | 1 |
| 73 | 7211-115 | Shunt IPI/CPI: Wire Loop | 1 |
| 74 | 7211-116 | Wire Harness: Power Supply | 1 |
| 75 | 7211-117 | Wire Harness Battery Holder- On/Off/Remote Switch | 1 |
| 76 | 7211-120 | Control Board | 1 |
| 77 | 7211-126 | IFC Wire Harness to Valve (X5) | 1 |
| 78 | 7211-127 | IFC Wire Harness to Splitflow Valve (X7) | 1 |
| 79 | 7211-355 | Solenoid: Split Flow | 1 |
| 80 | 7211-395 | NG Pilot Assembly | 1 |
| 81 | 7300-050 | 50 watt Halogen Bulb | 1 |
| | | | |
| 82 | 97-57320 | LP Conversion Kit | |
| | 7211-344 | LP Stepper motor | 1 |
| | 7200-453 | #53 Rear Orifice | 1 |
| | 7200-455 | #55 Front Orifice | 1 |
| | 7211-136 | .35mm Pilot Orifice | 1 |
| | | | |
| 83 | 97-57330 | NG Conversion Kit | |
| | 7211-345 | NG Stepper Motor | 1 |
| | 7200-438 | #38 Rear Orifice | 1 |

| | | | |
|-----------|-----------------|---|----------|
| | 7200-467 | #46 Front Orifice | 1 |
| | 7211-163 | .62mm Pilot Orifice | 1 |
| | | | |
| 84 | 98-58600 | Front Glass Kit | |
| | 3030-433 | Front Glass | 1 |
| | 3160-060 | Tadpole Gasket | 8' |
| | 4400-0100 | Rivet | 2 |
| | 5710-365 | Front Glass Clip | 2 |
| | 5860-140 | Front Glass Frame | 1 |
| | | | |
| 85 | 97-58510 | Blower Kit | |
| | 7211-980 | Blower | 1 |
| | | | |
| | 98-66600 | Log Set | |
| 86 | 7211-630 | Rear Log | 1 |
| 87 | 7211-631 | Front Right | 1 |
| 88 | 7211-632 | Front Left | 1 |
| 89 | 7211-633 | Top Left | 1 |
| | | | |
| 90 | 98-74600 | Burner Pan Assembly | 1 |
| | | | |
| 91 | 98-76606 | Light Socket Assembly/Blower Power Supply Cord | 1 |
| | | | |
| | 98-76600 | Baffle Set | |
| 92 | 3120-810 | Rear Panel | 1 |
| 93 | 3120-811 | Left Panel | 1 |
| 94 | 3120-812 | Right Panel | 1 |