



DVI-32 Model #8870

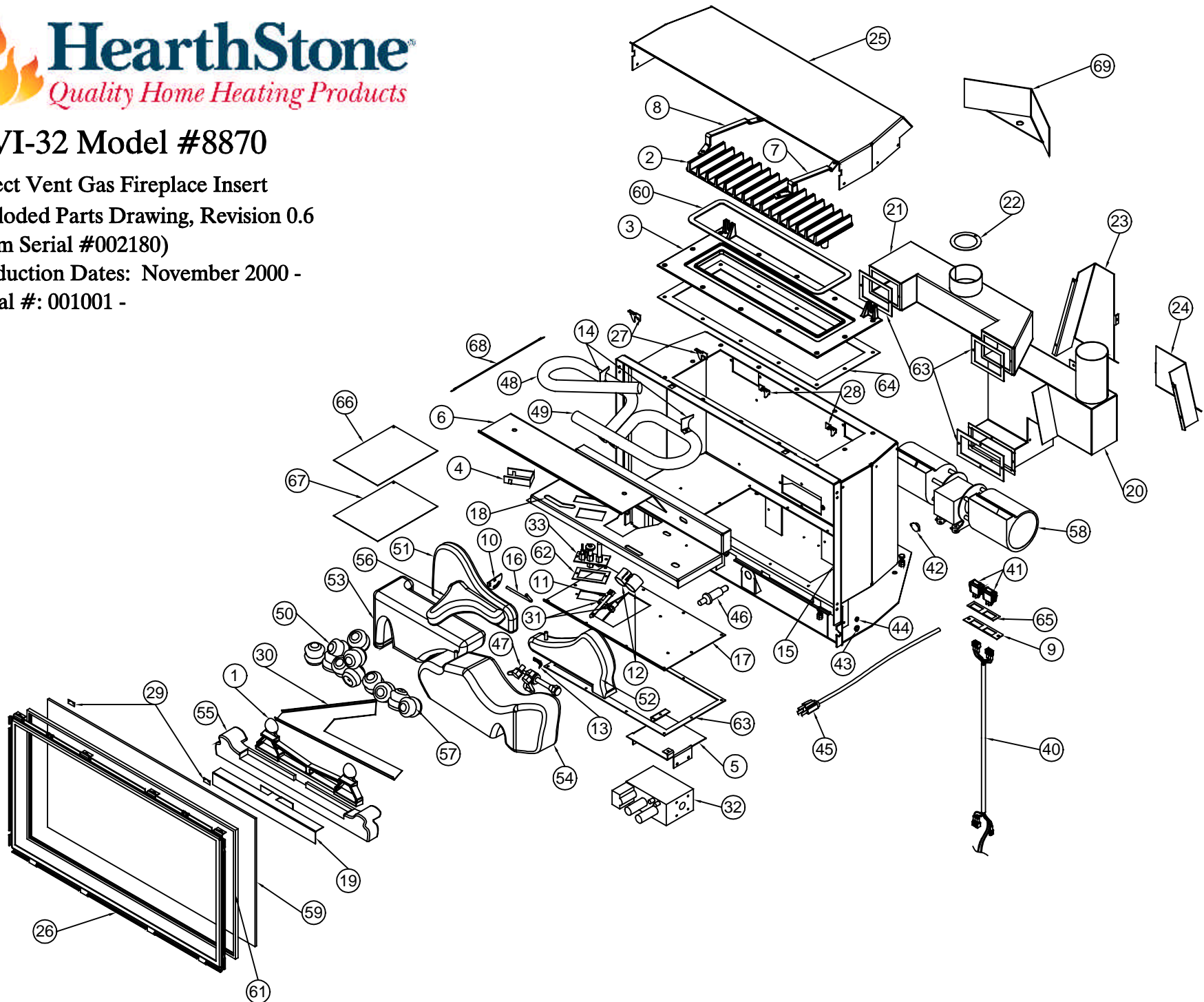
Direct Vent Gas Fireplace Insert

Exploded Parts Drawing, Revision 0.6

(from Serial #002180)

Production Dates: November 2000 -

Serial #: 001001 -





Model: DVI-32 #8870-0000NP

Production Dates: November 2000 - April 2004

Serial #: 001001 - 003137

Note: Specify color for cast iron parts which are available in enamel.

Key	Part #	Description	Status
1	2421-341	Andiron	
2	2810-834	Heat Exchanger	Not Available
3	2810-825	Heat Exchanger Base	
4	5300-085	Pilot Shield	
5	5800-020	Valve Bracket	
6	5800-080	Firebox Baffle	
7	5800-085	Heat Exchanger Limiter -Right	
8	5800-090	Heat Exchanger Limiter -Left	
9	5800-200	On/Off/T-Stat Switch Bracket	
10	5800-210	Air Shutter Position Indicator Plate	
11	5800-230	Air Shutter Locator Arm	
12	5800-240	Air Shutter	
13	5800-250	Air Shutter Packing Clip	
14	5800-260	Burner Tube Clip	
15	5800-010	Firebox	Not Available
17	5800-030	Burner Pan	
18	5870-035	Secondary Air Plenum	
19	5870-037	Andiron Support	
20	5870-040	Air Inlet Plenum	
21	5870-050	Air Exit Plenum	
22	5870-055	Restrictor Plate	
23	5870-060	Left Blower Duct	
24	5870-070	Right Blower Duct	
25	5870-080	Top Blower Duct	
26		<i>part of 59</i>	
27	5870-092	Glass Retainer Clip Left	
28	5870-094	Glass Retainer Clip Right	
29		<i>part of 59</i>	
31	7200-131	Burner Orifice #46 NG	
32	7211-300	SIT Valve 33% Turn Down	
33	7211-372	SIT Pilot Assembly 4-way Top Convertible	
	Includes:		
	7211-470	Thermocouple	
	7210-090	Thermopile	
	7211-009	Pilot Gas Line	
	7211-430	Piezo Wire with Ceramic Electrode	
	7211-391	4 Pilot Hood	
	7211-163	Pilot Orifice 62mm	

40	7000-030	On/Off/T-Stat Wire Harness	
41	7000-200	On/Off/T-Stat Switch	
42	7100-1220	Blower Snap Switch	
43	7200-110	Strain Relief	
44	7200-113	Strain Relief	
45	7200-510	Power Cord	
46	90-99020	Piezo Igniter Kit (new part number)	
47	7211-052	Gas Manifold	
48	7211-235	Left Burner Tube	
49	7211-236	Right Burner Tube	
50	7211-558	Small Embers 2oz Package	
51	7211-541	Left Rear Log	
52	7211-542	Right Rear Log	
53	7211-543	Left Middle Log	
54	7211-544	Right Middle Log	
55	7211-545	Front Log	
56	7211-546	Rear Center Log	
57	7211-547	Large Embers 2 oz. Package	
58	7211-942	Blower Assembly	
59	98-58900	Glass Assy DVI-32	
	Includes:		
	5870-095	Glass Clip	
	5870-090	Glass Retainer Frame	
	3160-080	Gasket Window 3/4" x 1/16"x 31"	
	3030-021	Glass 25 29/32" x 13 13/16" x 5mm	
	4400-0200	Blind Rivets SS 1/8" x 1/8"	
60	3160-075	48" Gasket 5/8" x 1/4"	
61		<i>part of 59</i>	
62	3160-152	Gasket -Pilot Assembly 1 3/4" x 3" Adhesive Backed	
63	3160-174	Gasket Set	
64	3160-920	Gasket -Heat Exchanger 19 3/4" x 7 7/8"	
65	3300-519	On/Off/T-Stat & Hi/Low/Off Label	
66	3300-557	Label -Safety Rating & Fuel Conversion	
67	3300-558	Lighting Instruction Label	
68	5570-030	Cable for Labels	
69	8870-075	Blower Duct Air Diverter	Not Available

98-74870 Burner Pan Assembly

Includes:

5800-030	Burner Pan
5800-020	Valve Bracket
7211-300	SIT Valve 33% Turn Down
7211-372	SIT Pilot Assembly 4-way Top Convertible
3160-152	Gasket -Pilot Assembly 1 3/4" x 3" Adhesive Backed
7200-131	Burner Orifice #46 NG
7211-052	Gas Manifold
5800-230	Air Shutter Locator Arm
5800-250	Air Shutter Packing Clip
4500-3435	(5) 8-32 x 3/8" Type F Screw
4500-4580	(4) 10-322 x 3/8" Screw
4600-0650	(2) 3/8" External Tooth Washer
7211-021	3/8" NPT x 3/8" Flare 90 degree elbow

3110-057 3/8" x 1" Rope Gasket

98-57210 Log Set

Includes:

2421-341 Andiron
5870-120 Ember Screen
7211-558 Small Embers 2oz Package
7211-541 Left Rear Log
7211-542 Right Rear Log
7211-543 Left Middle Log
7211-544 Right Middle Log
7211-545 Front Log
7211-546 Rear Center Log
7211-547 Large Embers 2 oz. Package

98-56300 NG Conversion Kit Top Convertible Serial # > 002314

Includes:

7200-131 Burner Orifice #46 NG
7211-163 Pilot Orifice .62mm NG Top Convertible
7211-306 Valve Regulator NG 33% Turn Down

98-56301 LP Conversion Kit Top Convertible Serial # > 002314

Includes:

7200-125 Burner Orifice #56 LP
7211-136 Pilot Orifice .35mm LP Top Convertible
7211-307 Valve Regulator LP 33% Turn Down