

Technical Data Sheet

Installation of the Castleton Model 8030/8030 AU/8031 Rear Heat Shield Shield *Assembly 90-68300*

Publish Date: 11/25/2003

ASSEMBLY CONTENTS:

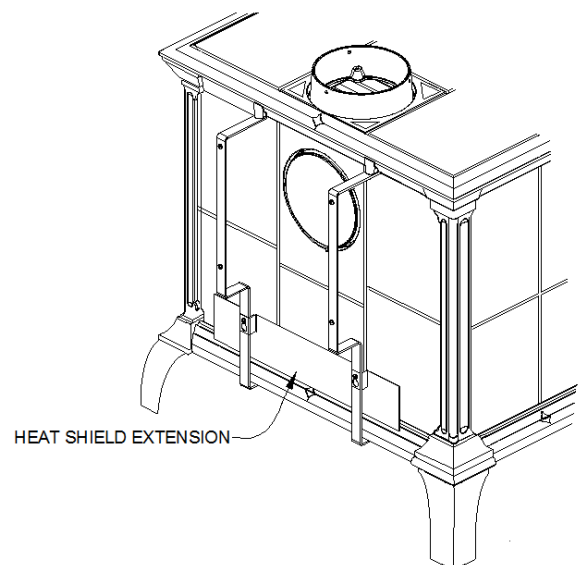
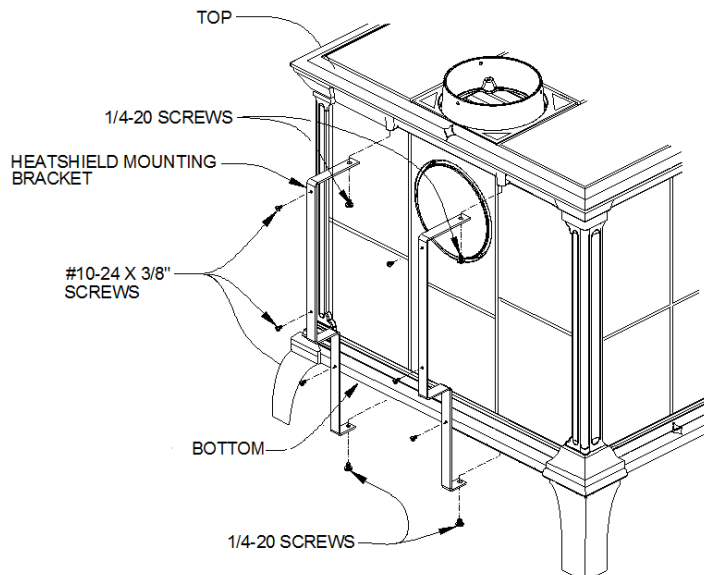
- (1ea)** 5903-015 Heat Shield
- (2ea)** 5904-015 Heat Shield Bracket
- (1ea)** 5903-010 Heat Shield Filler
- (1ea)** 5902-120 Heat Shield Extension Bottom
- (4ea)** 4500-3435 8-32 x 3/8" Screws
- (6ea)** 4500-3436 10-24 x 3/8" Screws
- (4ea)** 4500-0540 1/4-20x3/8 Screws

TOOLS REQUIRED:

- Cross-tip Screwdriver (Stubby Phillips)
- Tin Snips

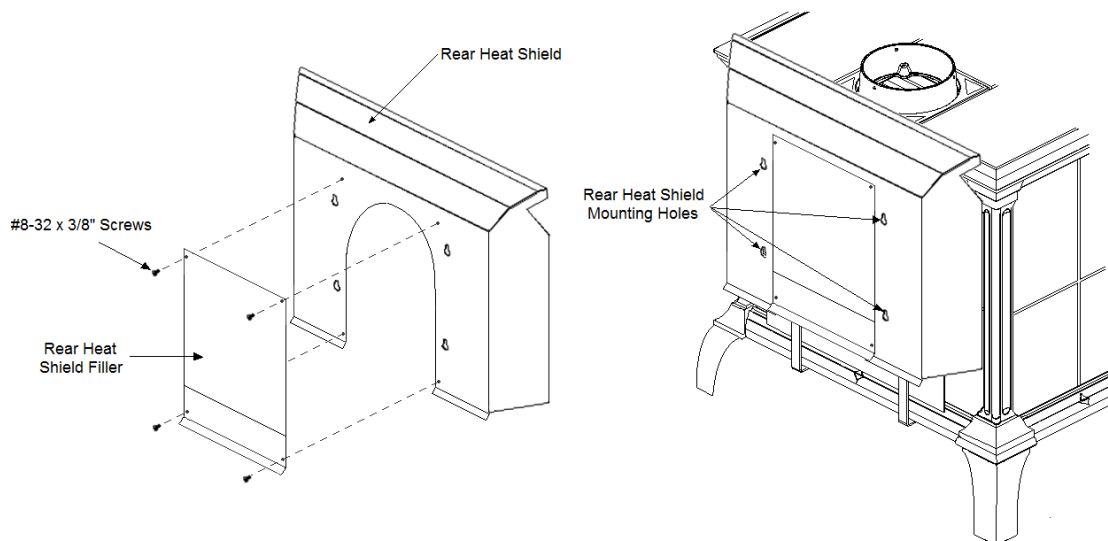
INSTALLATION PROCEDURE: *Always work on a cool stove!!!*

- 1) Install the heat shield mounting brackets, first locate the four holes in the back of the stove, two on the underside of the top and the other two just under the edge of the bottom about 6" either side of center (see illustration on page 2). Place the brackets on the stove so that they line up with the threaded holes on the back of the stove and with the larger hooked portion of the brackets on top, extending upwards. Use the (4) 1/4-20 Phillips screws provided to secure the brackets.
- 2) Place the 6 screws (10-24 x 3/8") into the brackets leaving them loose enough to slide the heat shield and extension over them. Hold the heat shield extension up to the brackets (as shown in illustration) align the two holes on the shield with the two lowest screws and adjust to pass screws through the holes. Once both screws are through the holes slide the heat shield down to catch the screws in the slots then tighten to the brackets

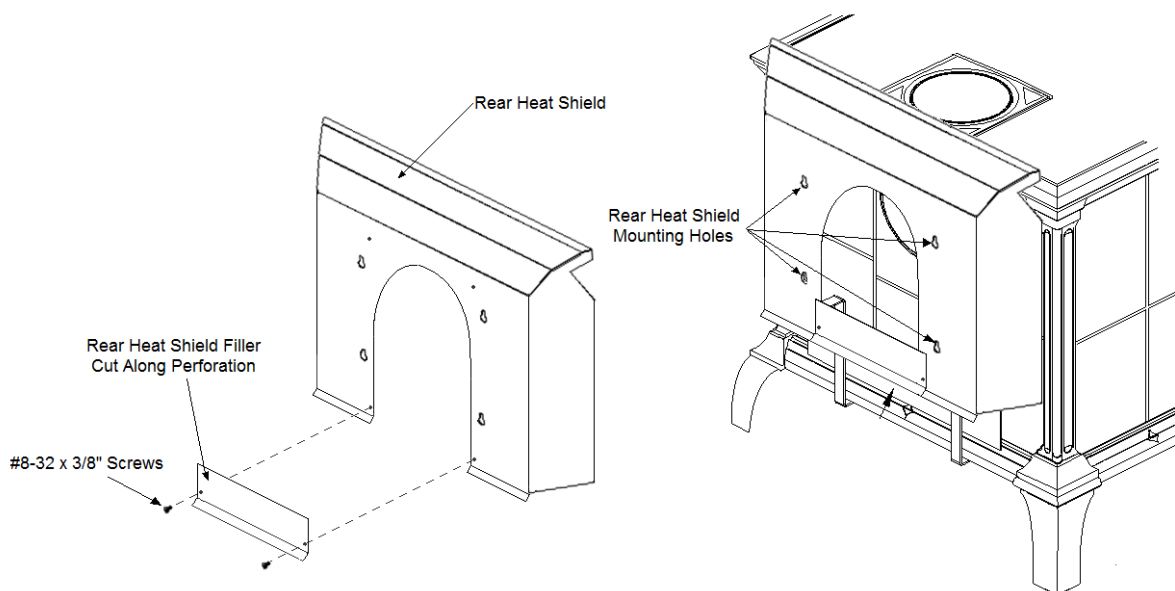


Note: If your stove is installed with the top exit configuration, proceed to step 3. If your stove is installed with the rear exit configuration proceed to step 4.

- 3) If the rear heat shield filler plate is not attached to the rear heat shield, do so now. Align the holes in the filler plate with the holes on the heat shield and attach using the #8-32 screws provided. Align the holes in the heat shield with the (4) screws on the heat shield mounting bracket (already installed on stove). Pass the screws through the heat shield holes and slide the heat shield down to catch the screws into the slots. Tighten the screws to hold the heat shield securely in place (see illustration below).



Top Exit Configuration



Rear Exit Configuration

- 4) If the rear heat shield filler plate is attached to the rear heat shield remove it now. The upper (larger) portion of the filler plate needs to be removed to allow for connector pipe clearance. Cut or break the filler plate at the perforation line and discard the upper portion.
- 5) Attach the filler plate to the heat shield. Align the holes in the filler plate with the holes on the heat shield and attach using the #8-32 screws provided. **(NOTE: if the chimney connector pipe is already installed the filler plate must be reattached after the heat shield is installed.)** Align the holes in the heat shield with the (4) screws on the heat shield mounting bracket (already installed on stove). Pass the screws through the heat shield holes and slide the heat shield down to catch the screws into the slots. Tighten the screws to hold the heat shield securely in place (see illustration on previous page).