



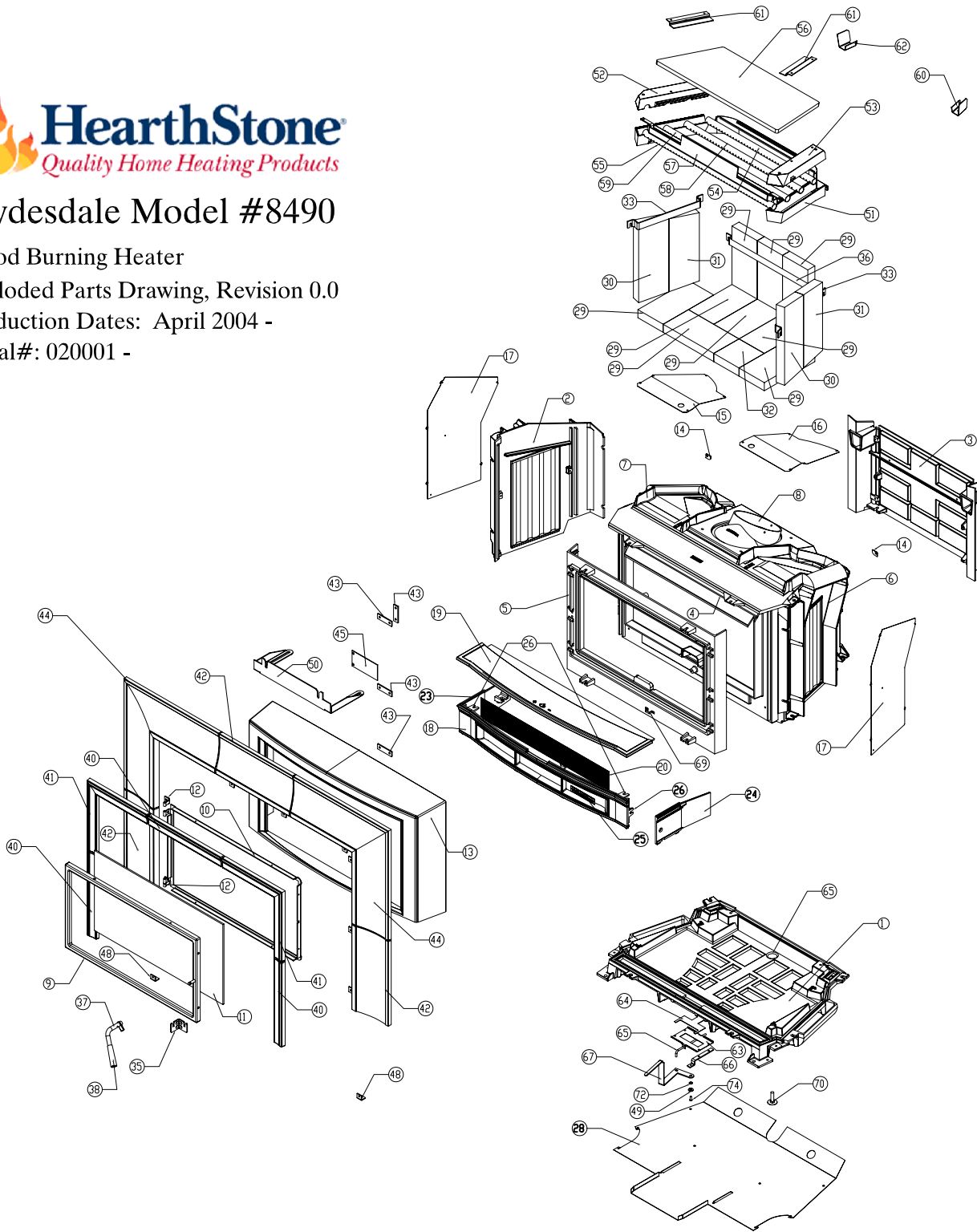
Clydesdale Model #8490

Wood Burning Heater

Exploded Parts Drawing, Revision 0.0

Production Dates: April 2004 -

Serial#: 020001 -





Model: Clydesdale Model #8490

Production Dates: July 2004 -

Serial #: 001001 -

[Link to
Parts Pricelist](#)

Note: Color must be specified for cast iron parts which are available in enamel.

| Key | Part # | Description |
|-----|-----------|------------------------------------|
| 1 | 2410-900 | Bottom Rear Casting |
| 2 | 2410-910 | Left Side Panel Casting |
| 3 | 2410-905 | Back Casting |
| 4 | 2410-940 | Primary Air Control |
| 5 | 2410-945 | Front Panel Casting |
| 6 | 2410-915 | Right Side Panel Casting |
| 7 | 2410-970 | Top Casting |
| 8 | 2410-975 | Flue Collar |
| 9 | 5490-042 | Door, Outer Frame |
| 10 | 5490-040 | Door, Inner Frame |
| 11 | 3030-041 | Glass, Cly |
| 12 | 5470-045 | Hinge |
| 13 | 2410-950 | Front Façade |
| 14 | 5490-020 | Surround Clip |
| 15 | 5490-085 | Air Shroud, Top Left |
| 16 | 5490-087 | Air Shroud , Top Right |
| 17 | 5490-025 | Air Shroud, Side |
| 18 | 2410-930 | Ash Lip/Blower Housing, Front |
| 19 | 2410-935 | Ash Lip/Blower Housing, Top |
| 20 | 5490-035 | Ash Lip Grill Screen |
| 23 | 2410-920 | Ash Lip/Blower Housing, Left Side |
| 24 | 2410-925 | Ash Lip/Blower Housing, Right Side |
| 25 | 3400-101 | HearthStone Name Plate |
| 26 | 4200-0765 | 1/4-20 U-Nut |
| 28 | 5490-010 | Air Shroud, Bottom |
| 29 | 0000-101 | Stone: 4-1/2"x1-1/4"x9" |
| 30 | 0400-900 | Stone: 4-1/2"x12", Angled |

| | | |
|----|-----------|----------------------------------|
| 31 | 0400-901 | Stone: 4-1/2"x11-1/4", Angled |
| 32 | 0400-902 | Stone: 4-1/2"x1-1/4"x4-1/2" |
| 33 | 5490-055 | Stone Clip, Side |
| 35 | 5490-045 | Latch |
| 36 | 5490-050 | Stone Clip, Rear |
| 37 | 5470-052 | Handle Assembly |
| 38 | 3900-177 | Wood Handle |
| 40 | 2410-980 | Inner Surround Straight |
| 41 | 2410-985 | Inner Surround Corner |
| 42 | 2410-990 | Outer Surround Straight |
| 43 | 5470-049 | Surround Plate |
| 44 | 2410-995 | Outer Surround Corner |
| 45 | 5947-020 | Inner Surround Plate |
| 48 | 5470-039 | Surround Leveling Bracket |
| 49 | 5012-066 | Bushing |
| 50 | 5490-090 | Surround Top Bracket |
| 51 | 2410-955 | Secondary Air Plenum |
| 52 | 2410-960 | Cap, Secondary Air Plenum, Left |
| 53 | 2410-965 | Cap, Secondary Air Plenum, Right |
| 54 | 5490-071 | Secondary Air Tube #1 |
| 55 | 5490-074 | Secondary Air Tube #4 |
| 56 | 3120-490 | Baffle |
| 57 | 5490-080 | Baffle Support SST |
| 58 | 5490-072 | Secondary Air Tube #2 |
| 59 | 5490-073 | Secondary Air Tube #3 |
| 60 | 5490-059 | Collar, Right |
| 61 | 5490-075 | Baffle Hold Down Bracket |
| 62 | 5490-058 | Collar, Left |
| 63 | 5490-014 | Gate Cap |
| 64 | 5490-013 | Primary Air Cap |
| 65 | 5490-011 | Primary Air Control Rod |
| 66 | 5490-015 | Air Control Mount |
| 67 | 5490-012 | Primary Air Control |
| 69 | 5870-022 | Snap Switch Strap |
| 70 | .375x1.5 | 3/8-16 x 1.5 carriage bolt |
| 72 | 4600-1400 | Spring Washer |
| 74 | 4500-1900 | #10-24x1/2" "F" type hex screw |