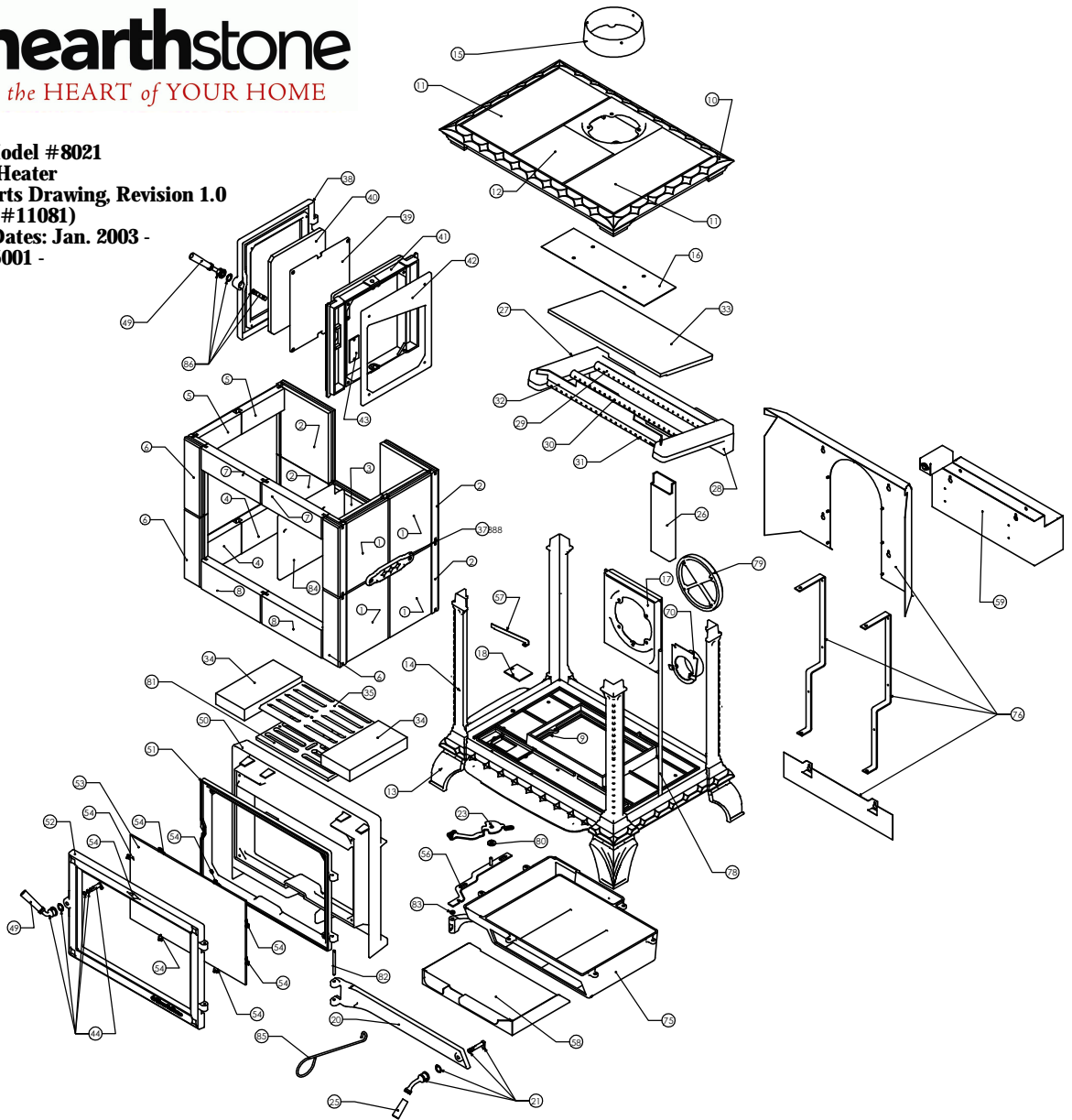




**Heritage I Model #8021**  
**Wood Stove Heater**  
**Exploded Parts Drawing, Revision 1.0**  
**(from Serial #11081)**  
**Production Dates: Jan. 2003 -**  
**Serial #: 005001 -**





Model: Heritage #8021

Production Dates: February 2003 -

Serial #: 001001 -

Note: Specify color for enameled cast iron parts.

Key	Part #	Description	QTY.
1	1421-56	Stone Right side 6 11/16" x 9 1/2"	4
2	1201-25	Stone Rear Corner 8" x 9 1/2"	4
3	1201-26	Stone Rear Center 8" x 9 1/2"	1
4	1141-240	Stone Left Side Bottom 4 5/32" x 6 11/16"	2
5	1141-242	Stone Left Side Top 2 7/8" x 6 11/16"	2
6	1141-253	Stone Front Corner 2 19/32" x 9 1/2"	4
7	1141-251	Stone Front Top 2 3/4" x 9 1/2"	2
8	1141-252	Stone Front Bottom 3 3/4" x 9 1/2"	2
9	2010-225	Bottom Casting	1
10	2010-290	Top Casting	1
11	1141-243	Stone Top Left & Right 8-1/16" x 15-3/4"	2
12	1141-261	Stone Top Center 8 1/32" x 8 3/32"	1
13	2010-210	Foot (Short)	4
	2010-910	Foot (Long)	4
14	2010-230	Corner Post (Leg)	4
15	2010-285	Flue Collar	1
16	5570-150	Top Radiation Shield	1
17	2010-280	Flue Collar Frame	1
18	5021-025	Primary Air Control Shutter	1
<b>20/75</b>	<b>2010-216</b>	<b>Ash Pan Door and Frame, matched set (includes)</b>	1
		Ash Pan Door (Old pt# 2010-220)	1
		Ash Pan Frame (Old pt# 2010-216)	1
		Pin: Cotter (Old pt# 4300-0150)	1
		Pin: Clevis, Steel (Old pt# 4400-0550)	1
21	<b>90-73216</b>	<b>Ash Pan Door Latch Assembly (includes)</b>	
	4500-2976	Set Screw	1
	5021-012	Chrome Handle Crank	1
	5240-135	Spring	1
	5021-053	Ash Pan Door Latch	1
23	5021-030	Primary Air Handle	1
25	<b>90-71100</b>	<b>Wooden Handle Assembly (includes)</b>	
	3900-177	Wood Handle	1
	4500-1680	1/4-20 x 3 1/4" Bolt	1
	4600-0400	1/4" Lock Washer	3



# hearthstone

Key	Part #	Description	QTY.
26	5021-040	Secondary Air Riser	1
27	2010-242	Secondary Air Plenum -Left Side	1
28	2010-240	Secondary Air Plenum -Right Side	1
29	5021-041	Secondary Air Pipe #1 (Rear)	1
30	5021-042	Secondary Air Pipe #2 (Center)	1
31	5021-043	Secondary Air Pipe #3 (Front)	1
32	5021-065	Baffle Support	1
<b>33</b>	<b>90-76210</b>	<b>Ceramic Baffle Kit (includes)</b>	
	3120-020	Board: Ceramic Baffle	1
	5021-066	Bracket: Baffle, SS	1
	7000-090	Wire: 16 guage, SS	3 ft.
34	1-0000-101	Firebox Refractory Stones	2
35	2010-228	Ash Grate -Top	1
37	2010-275	Cast Trim -Right Side	1
38	2010-250	Cast Side Loading Door	1
39	2010-252	Side Door Retainer Plate	1
40	1141-241	Side Door Stone Inlay 8 3/8" x 10 1/4"	1
41	2010-255	Cast Side Door Outer Frame	1
42	2010-257	Cast Side Door Inner Frame	1
43	5021-055	Side Door Outer Frame Plate	1
<b>44</b>	<b>90-73212</b>	<b>Front Door Latch Assembly (includes)</b>	
	4500-2976	Set Screw	1
	4700-0790	Spacer	4
	5010-081	Chrome Handle Crank	1
	5240-138	Spring	1
	5021-022	Front Door Latch	1
	5021-032	Washer	1
<b>49</b>	<b>90-71100</b>	<b>Wooden Handle Assembly (includes)</b>	
	3900-177	Wood Handle	1
	4500-1680	Screw: Machine, 1/4-20x3-1/4"	1
	4600-0400	Washer: Lock, 1/4" Split	3
50	2010-245	Primary Air Plenum	1
51	2010-265	Front Door Outer Frame	1
52	2010-270	Front Door	1



Key	Part #	Description	QTY.
<b>53</b>	<b>90-58215</b>	<b>Front Door Glass Kit</b>	
	3030-038	IR Glass	1
	3110-056	Gasket: 1/4" Rope, Ad	5 ft.
	3120-021	Gasket: Glass Clip	8
	5021-060	Clip: Glass	8
54	5021-060	Glass Retention Clips	8
56	5021-035	Ash Grate Control Rod	1
57	5021-020	Primary Air Control Retainer	1
58	5021-010	Ash Pan	1
<b>59</b>	<b>90-57210</b>	<b>Optional Fan Kit</b>	
<b>70</b>	<b>90-53210</b>	<b>Optional Outside Air Kit</b>	
75		Ash Pan Frame (see 20 above)	1
<b>76</b>	<b>90-68210</b>	<b>Optional Rear Heat Shield</b>	
78	5210-2320	Threaded Rod 3/8"-16 x 20 1/2"	1
79	2010-282	Cover Plate	1
80	5550-155	Air Control Bushing	
81	2010-227	Ash Grate Base	1
82		Ash Door Hinge Pin (see 20 above)	
83	4600-0800	5/16" Washer	9
84	2010-422	Right Side Impact Plate	1
85	5021-037	Ash Pan Control Handle	1
86	<b>90-73213</b>	<b>Side Door Latch Assembly (includes)</b>	
	4500-2976	Screw: Set	1
	4700-0790	Spacer	4
	5010-081	Chrome Handle Crank	1
	5021-023	Latch: Door, Single Bevel	1
	5021-032	Washer: Flat	1
	5240-138	Spring: Latch	1
<b>NOT SHOWN</b> (Items Listed Below Are Not Shown on the Illustration Above)			
	<b>90-58210</b>	<b>Complete Stove Gasket Kit</b>	

Hardware listed on next page



## Hardware

Location	Use	Description	Part Number	Qty
Stove Body	Ash Grate Base to Bottom Cast	Screw: 1/4-20x1/2", Hex, SS	4500-0570	2
	Flat Washer for 4500-0570	Washer: flat, 1/4"	4600-0300	2
	Ash Grate Control Handle to Ash Grate & Btm Cast	Screw: 5/16"x1/4", Shldr	4100-0280	2
	Flat Washer for 4100-0280	Washer: flat, 1/4"	4600-0300	2
	Primary Air Control Handle to Bottom Cast Mount	Screw: 1/4-20x5/8", Hex, Gr 2	4500-0700	1
	Lock Washer for 4500-0700	Washer: lock, 1/4" split, ZN	4600-0400	1
	Pivot Bushing for 4500-0700	Bushing: 1/4"x3/8"	5550-155	1
	Bottom Cast Channel Gasket	Gasket: Rope, 3/8", Med Den	3110-057	87"
	Ash Pan Door Gasket	Gasket: Rope, 3/8" Med Den	3110-059	36"
	Ash Pan to Bottom Casting	Screw: t-cut, 1/2-20x1", F, Hex	4500-0920	6
	Feet to Bottom Casting	Screw: 5/16-18x1-1/4", Hex, ZN	4500-3220	4
	Lock Washer for 4500-3320	Washer: Lock, 5/16" Split, ZN	4600-0850	4
	Flat Washer for 4500-3320	Washer: Flat, 5/16", Blk, ZN	4600-0800	4
	Primary Air Control Slide Retainer	Screw: 10-24x3/8", F, Pan, Blk ZN	4500-3436	2
	Side Door Plate to Side Door Frame	Screw: 10-24x3/8", F, Pan, Blk ZN	4500-3436	2
	Inner to Outer Side Door Frame	Screw: 1/4-20x3/4", PH, Blk Ox	4500-0500	4
	Baffle Support/Baffle to Secondary Manifold	Cotter Pin: 1/8"x1-1/2", SS	4300-0110	2
	Front Door Frame to Stove Body Gasket	Gasket: Tape, 3/8"x1/8", Flat	3160-392	5.5 ft.
	Front Door Frame to Primary Plenum	Screw: 1/4-20x3/4", Pan, PH, Blk	4500-1359	4
	Top Casting to Bottom Casting Rods	Rod: Threaded, 3/8-16X20-1/2", 5/8"	5210-2320	1
	Conical Nut for 5210-2320	Nut: Tamper Resistant, Conical	4200-0410	1
	Finishing Nut for 5210-2320	Nut: Finishing, 3/8"-16, Hex, ZN	4200-0400	1
	Outside Door Frame Top to Top Cast	Screw: 3/8-16x4", Hex, ZN, Gr 5	4500-2855	1
Tamper Resistant Nut for 4500-2855	Nut: Tamper-resistant, 3/8"-16, ZN	4200-0410	1	
Outside Door Frame Bottom to Bottom Cast	Screw: 3/8-16x6", Hex, ZN, Gr 5	4200-2910	1	
Finishing Nut for 4200-2910	Nut: Finishing, 3/8"-16, Hex, ZN	4200-0400	1	
Lock Washer for 4200-2910	Washer: Lock, 3/8", Split	4600-0700	1	
Side Rondel to Inner Strike Plate	Screw: 1/4"-20x2-1/4", Lo Pro, Blk Ox	4500-1420	2	
Finishing Nut for 4500-1420	Nut: Finishing, 1/4"-20, Hex, Zn	4200-0200	2	
Flat Washer for 4500-1420	Washer: Flat, 1/4", Blk Ox	4600-0300	2	
Secondary Manifold to Rear Flue Plate	Screw: 1/4"-20x2-1/4", Lo Pro	4500-1420	1	
Flat Washer for 4500-1420	Washer: Flat, 1/4", Blk Ox	4600-0300	1	
Top Casting Stone Channel	Gasket: Rope, 3/8", Non-Cor, AD	3110-057	6.7 Ft.	
Rear Heat Shield to Top Cast	Screw: 1/4"-20x1/2", Hex, SS	4500-0570	4	
Flue Collar Gasket	Gasket: Rope, 1/4", AD	3110-056	3.2 ft.	
Flue Collar Stud	Stud: 1/4"-20x1-1/2", Fully Threaded	4500-1351	4	
Finishing Nut for 4500-1351	Nut: Finishing, 1/4"-20, Hex, ZN	4200-0250	4	
Flat Washer for 4500-1351	Washer: 1/4", Blk Ox	4600-300	4	
Front Door	Glass Clip Screws	Screw: 10-24x1-1/4", Pan, PH, Blk Ox	4500-1874	8
	Front Door Hinge Pins	Rivet: 3/16x1-3/8", Steel	4400-0300	2
	Washer for 4400-0300	Washer: Flat, #10	4600-1210	2
Side Door	Side Door Stone Retainer	Screw: 10-24x1/2", Flat, PH, Blk Ox	4500-1910	4



## Hardware (Cont.)

Location	Use	Description	Part Number	Qty
	Side Door Hinge Pins	Rivet: 3/16x1-3/8", Steel	4400-0300	2
	Flat Washer for 4400-0300	Washer: Flat, #10	4600-1210	2
<b>Second. Plen.</b>	Top to Bottom, Front Holes	Screw: 1/4"-20x1/2"	4500-0560	2
	Top to Bottom, Rear Holes	Screw: 1/4"-20x1-1/4"	4500-1300	2

