

# DEVA

## Model 8220



### Specifications and Clearances:

Physical Measurements:	Clearances:
Size: 46,000 BTUs	<p><b><u>With single wall pipe &amp; top exit flue:</u></b></p> <p>Side 10"</p> <p>Rear 16"</p> <p><b><u>With double wall pipe &amp; top exit flue:</u></b></p> <p>Side 4"</p> <p>Rear 14"</p> <p><b><u>With double wall pipe &amp; rear exit flue:</u></b></p> <p>Side 4"</p> <p>Rear 16"</p>
EPA Rating: EPA Exempt	
Width: 40	
Height: 33.75"	
Depth: 23.75"	
Maximum Log Length: 17"	
Oven Capacity: 2.47 cubic feet	
H=15", W=17.25, D=16.5	
Firebox Capacity: 1.6 cubic feet	
Flue Exit: Top or rear exit	
Flue diameter: 6"	
Ash Pan: Yes	
Optional blower kit: No	
Actual Weight: 484	
Alcove Certified: Yes	
Mobile Home Certified: No	
	<p align="center"><b>Hearth Pad:</b></p> <p>Minimum Size (US) 56" W x 39.75" D</p> <p>Minimum Size (Canada) 142.2 cm x 106 cm</p> <p>Minimum R-Value 0.89 or UL listed floor protection</p>

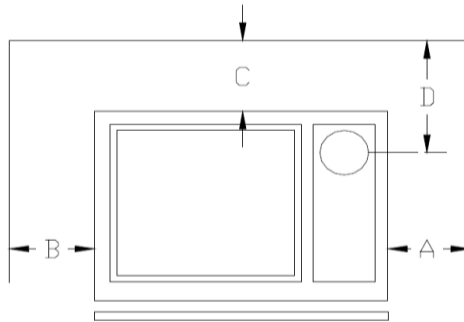
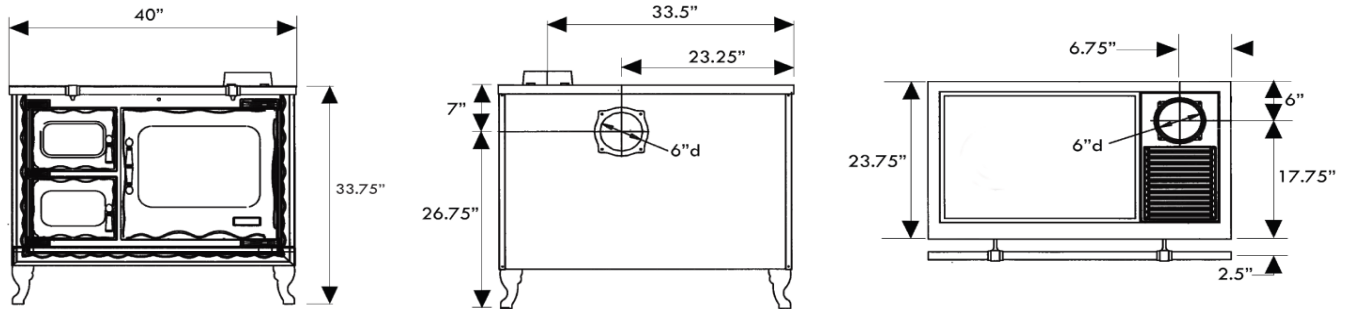
# DEVA

## Model 8220



### Specifications and Clearances:

page 2



#### MINIMUM CLEARANCES TO COMBUSTIBLES (from closest point of stove)

Clearan	Single wall connector				Double walls connector			
	Top Exit		Rear Exit		Top Exit		Rear Exit	
	(in)	(cm)	(in)	(cm)	(in)	(cm)	(in)	(cm)
A	10	26	4	11	4	11	4	11
B	10	26	4	11	4	11	4	11
C	16	41	16	41	14	36	16	41
D	21.5	55	n/a	n/a	19.5	50	n/a	n/a

ALCOVE Clearances	Top exit connector			
	Single wall connector		Double wall connector	
	(in)	(cm)	(in)	(cm)
A	7	18	4	11
B	16	41	14	36
C	16	41	14	36
D	21.5	55	19.5	50