

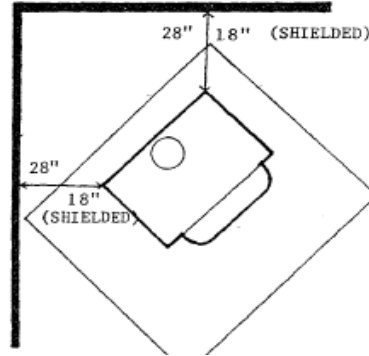
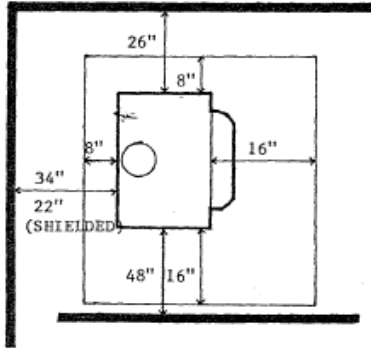
American Heritage 8202



Specifications and Clearances:

Rev. 092512

Physical Measurements:	Clearances (cont.):
Size: 56,000 BTUs	Side w/door 48"
EPA Rating: n/a	Front 36"
Efficiency 91%	Rear 22"
Width: 26 3/4"	Corner mount w/o shielding & top exit flue:
Height 28 7/8"	Perpendicular from corner w/o door 28"
Depth 26 3/8"	Perpendicular from corner w/door 28"
Maximum Log Length 20"	Corner mount with shielding & top exit flue:
Firebox Capacity 2.0 cubic feet	Perpendicular from corner w/o door 18"
Flue Exit Top or Rear	Perpendicular from corner w/door 18"
Flue diameter 6"	
Ash Pan Yes	
Optional blower kit No	
Actual Weight 475	
Alcove Certified no	
Mobile Home Certified no	
	Hearth Pad:
	Minimum Size (US) 51" W x 42 1/2" D
	Minimum Size (Canada)
	Minimum R-Value 2.0
	Extension past front of stove 16"
	Extension past side w/door 16"
	Extension past side w/o door 8"
	Extension past rear of stove 8"
Clearances:	
<u>With single wall pipe, top exit flue:</u>	
Side w/o door 26"	
Side w/door 48"	
Front 36"	
Rear 34"	
<u>With Rear Heat Shield, double wall pipe & top exit flue:</u>	
Side w/o door 26"	



Clearances

Single Wall Pipe w/o Heat shield

A	Side of Stove to Side wall	26"R 48"L
B	Back of Stove to Back wall	34"
C	Corner of Stove to Side wall	28"
D	Center of Flue to Back wall	~
E	Front of Stove to Back wall	53"
F	Front of Hearth pad to Back wall	69"
G	Front of Stove to Corner of Wall	72"
H	Front of Hearth pad to Corner of Wall	88"
I	Center of Flue to Corner of Wall	~
J	Side of Flue to Side wall	~

Double Wall Pipe w/Heat shield

A	Side of Stove to Sidewall	26"R, 48"L
B	Back of Stove to Back wall	22"
C	Corner of Stove to Side wall	18"
D	Center of Flue to Back wall	~
E	Front of Stove to Back wall	42"
F	Front of Hearth pad to Back wall	58"
G	Front of Stove to Corner of Wall	64"
H	Front of Hearth pad to Corner of Wall	80"
I	Center of Flue to Corner of Wall	~
J	Side of Flue to Side Wall	~

